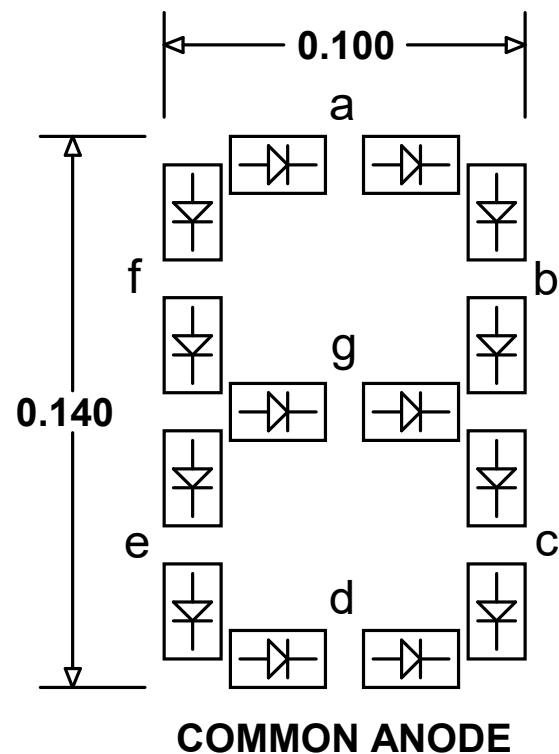
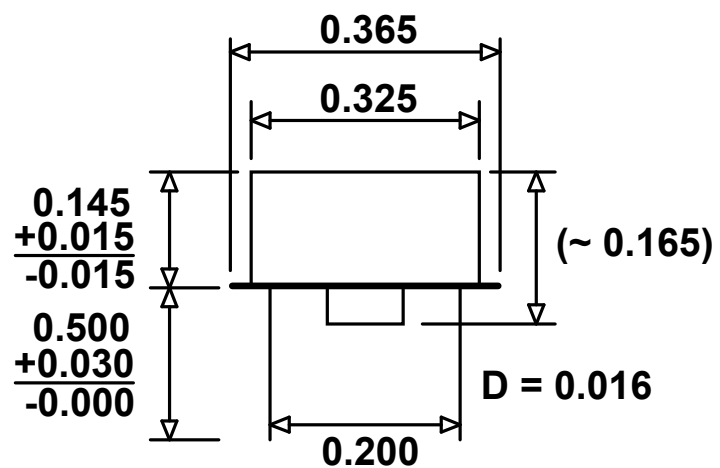
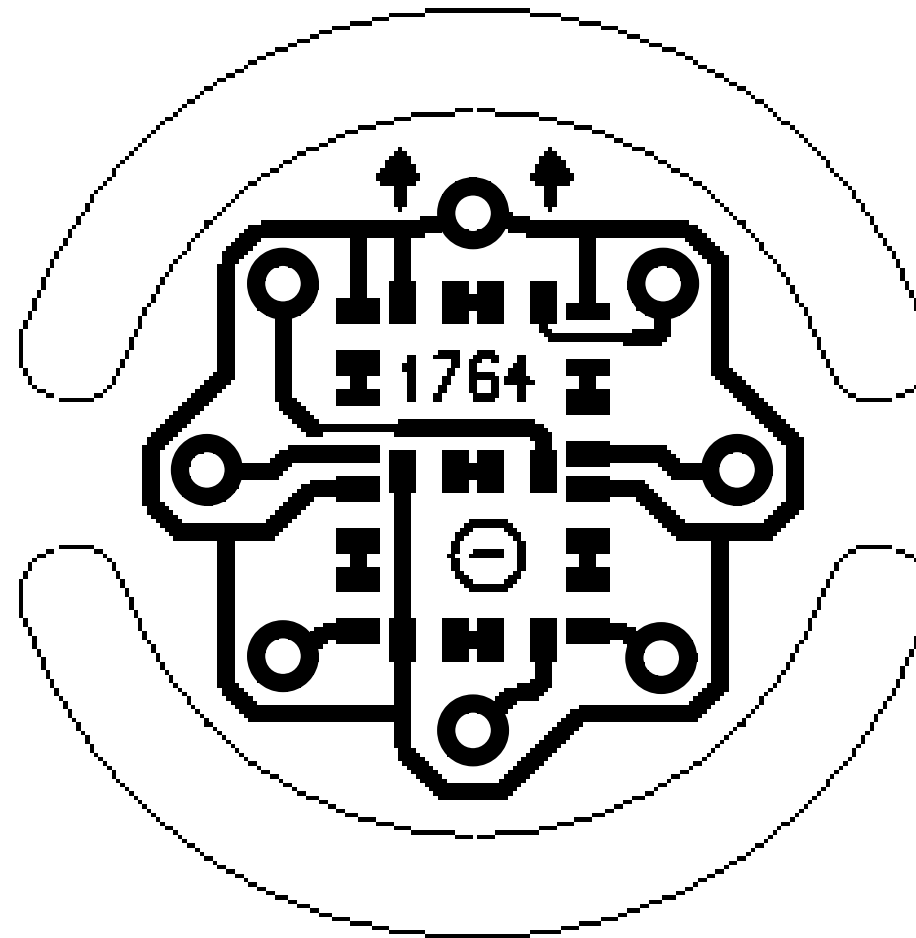
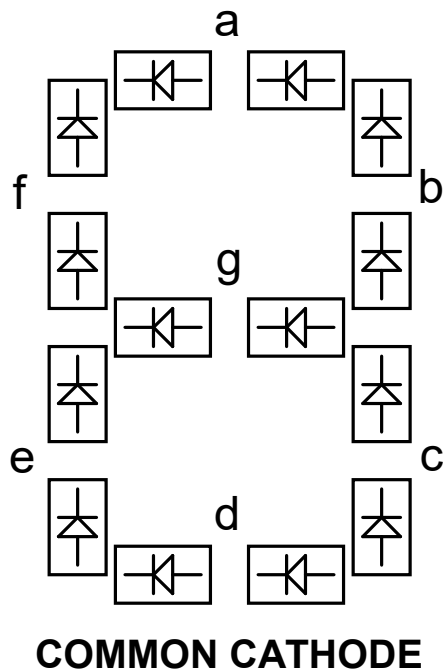
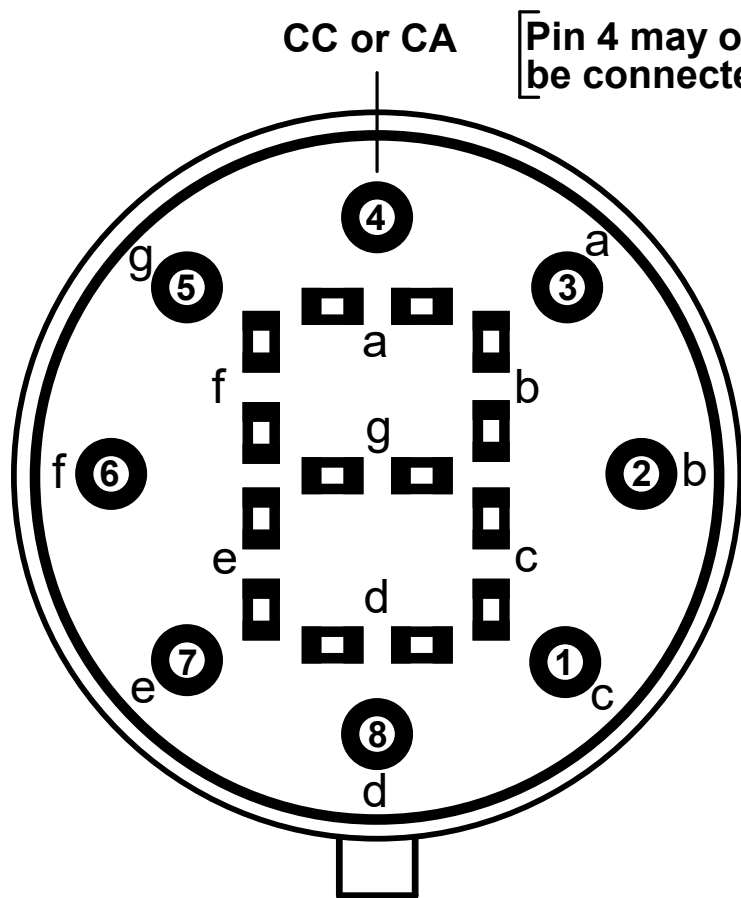


1. All dimensions in inches

REVISION HISTORY		APPROVED	DATE
DESCRIPTION	Initial release	J Taylor	2026/04/17



APPROVALS		DATE	TITLE		
DRAWN	J TAYLOR	2026/04/17	TO99-8 7 segment LED display (TO5-8)		
CHECKED					
ENGINEER					
PROJ ENGINEER			SIZE	FSCM NO.	DRAWING NO.
APPROVED			B		1764
QA			SCALE	NONE	REV. -
			© 2026 TES	MODIFIED: 5/3/2026 2:34:18 PM	SHEET 1 OF 1