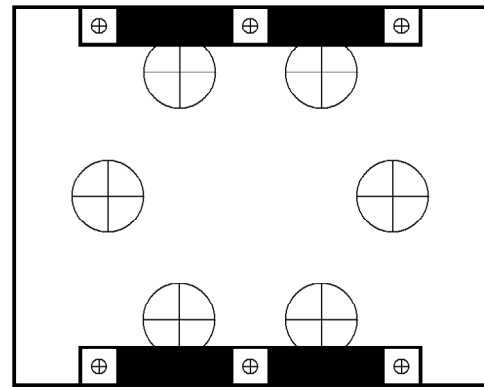
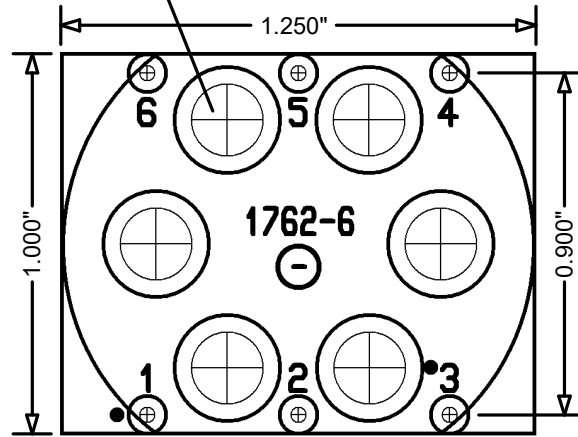


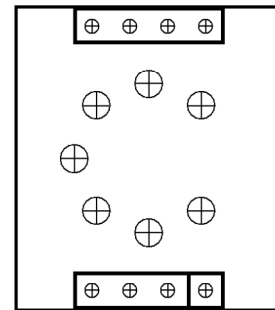
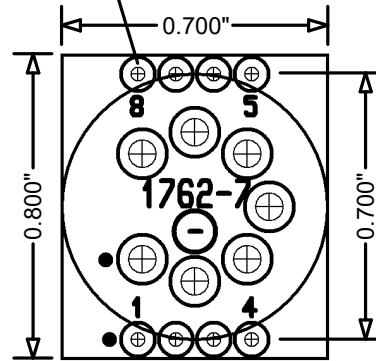
REVISION HISTORY			
REV	DESCRIPTION	APPROVED	DATE
-	Initial Release	J Taylor	2026/03/31

Ceramic Socket



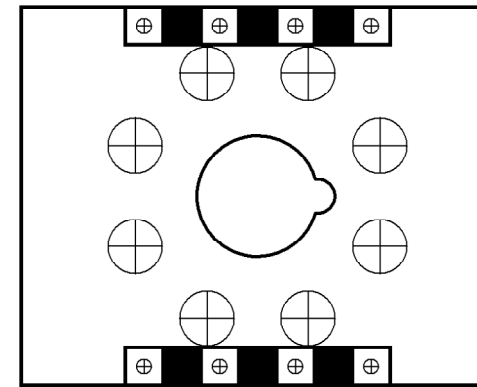
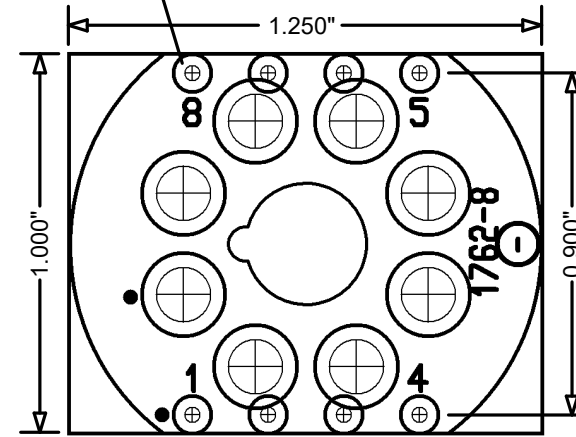
1762-6
"6E5"

ED5019 Sockets



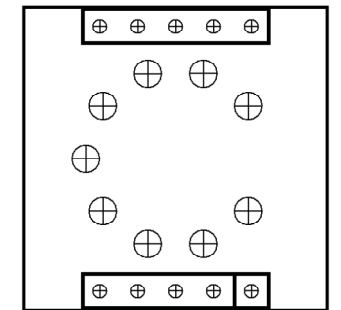
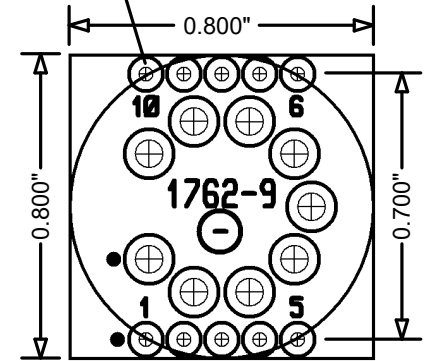
1762-7
"6AH6"

ED90593 Sockets



1762-8
"6AQ7"

ED5019 Sockets



1762-9
"6AM4"

Typical Tubes

APPROVALS		DATE	TITLE		
DRAWN	J TAYLOR	2026/03/31	Vacuum tube to bread board adapters for 6, 7, 8 (Octal) and 9 pin tubes		
CHECKED					
ENGINEER					
PROJ ENGINEER			SIZE	FSCM NO.	DRAWING NO.
APPROVED			B		1762-X
QA			SCALE	NONE	© 2026 TES
					MODIFIED: 4/15/2026 9:16:28 PM
					SHEET 1 OF 1