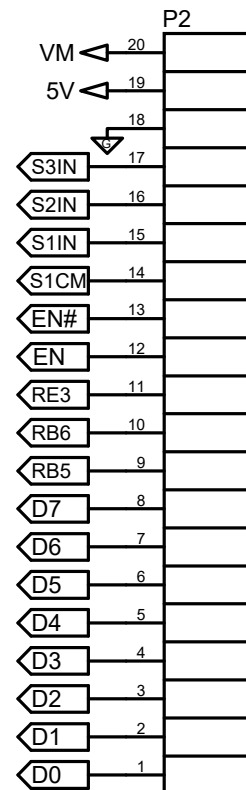
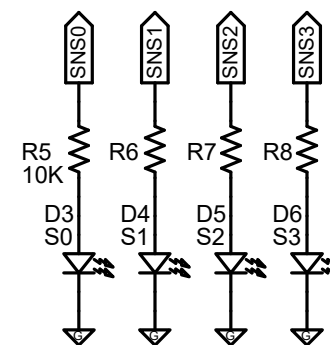
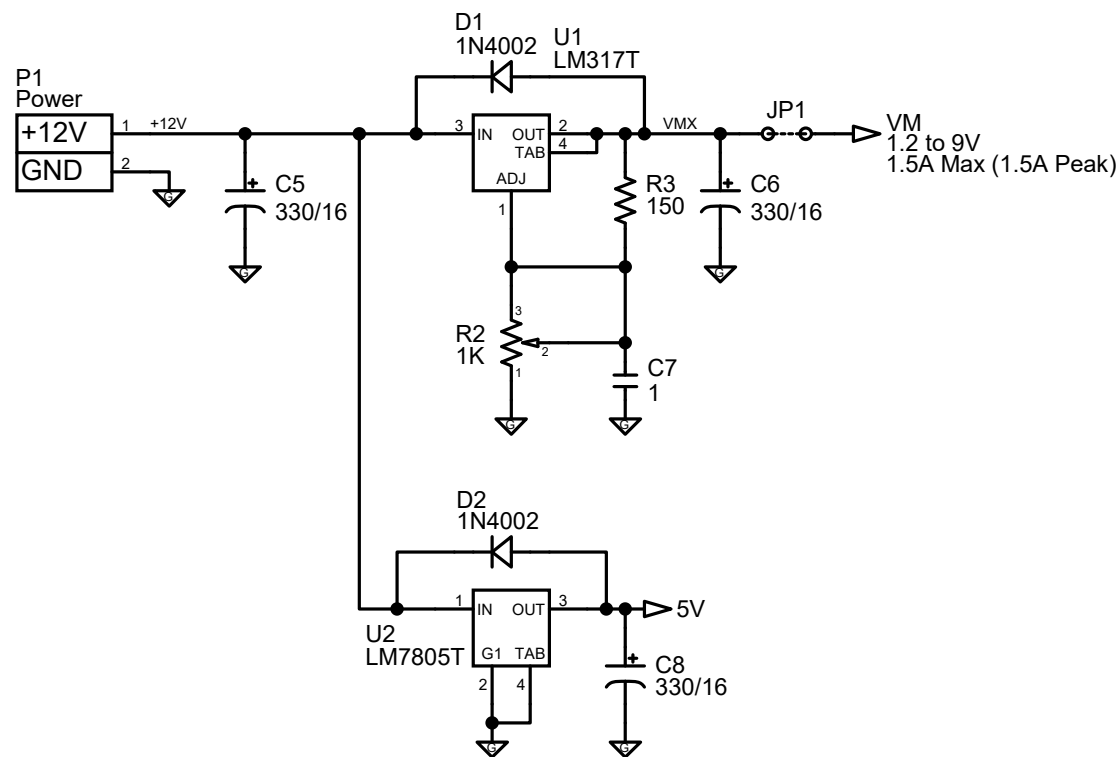
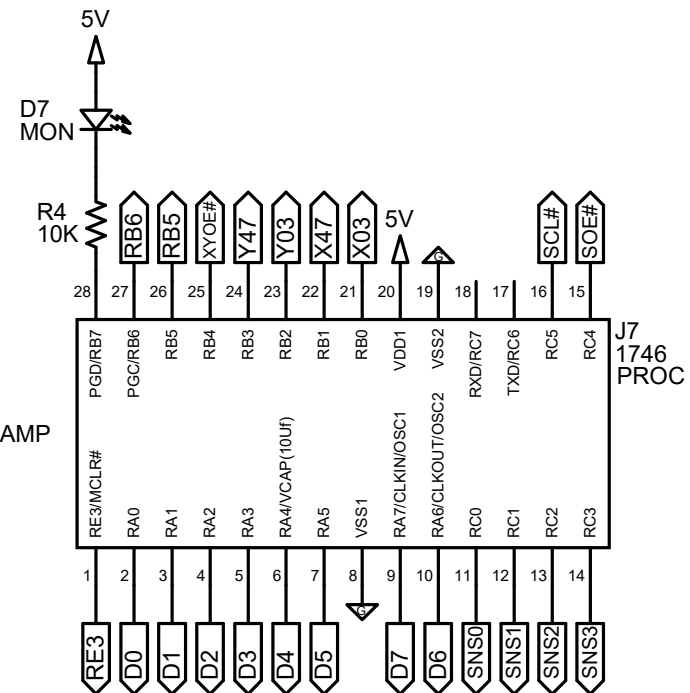
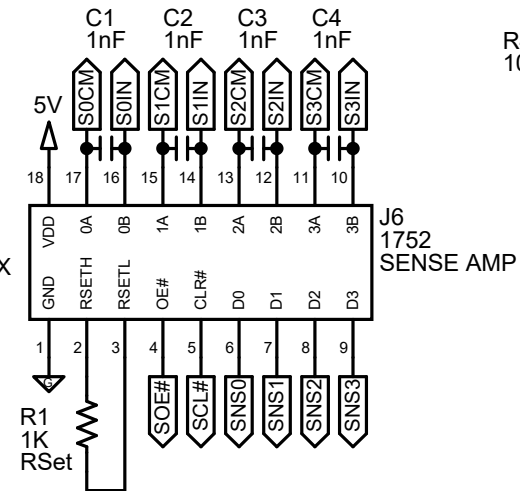
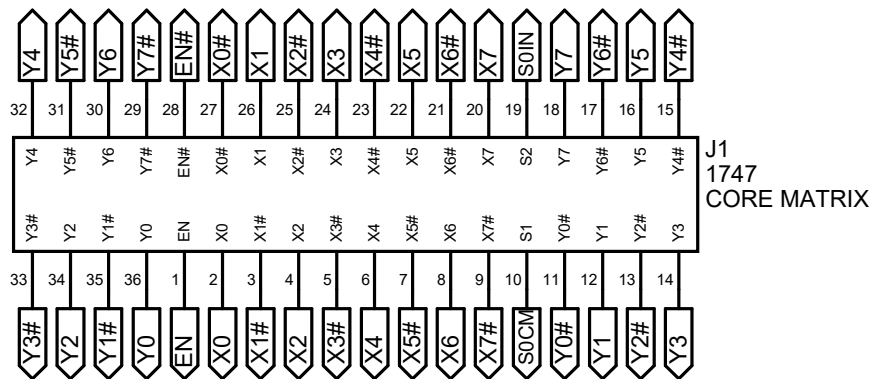
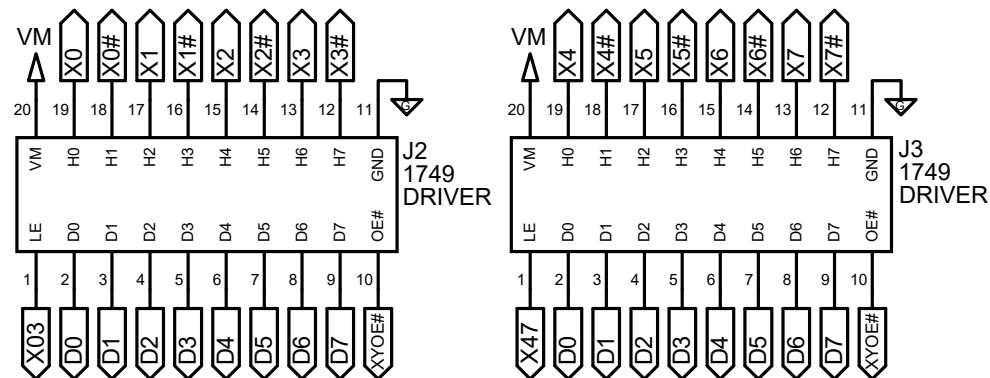
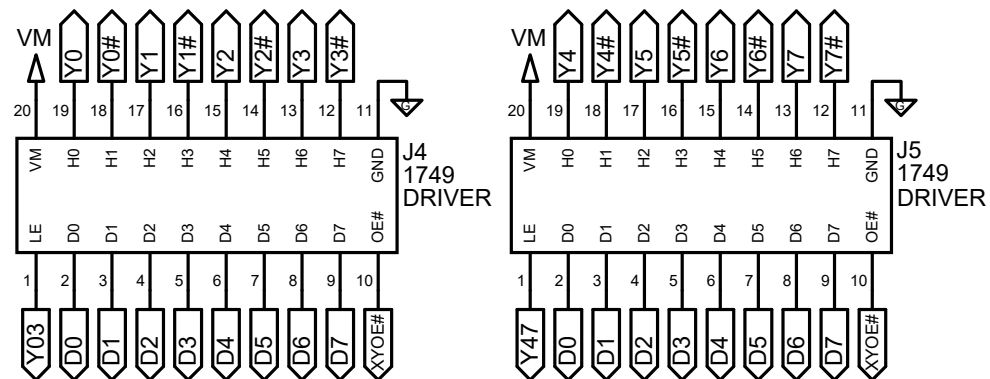
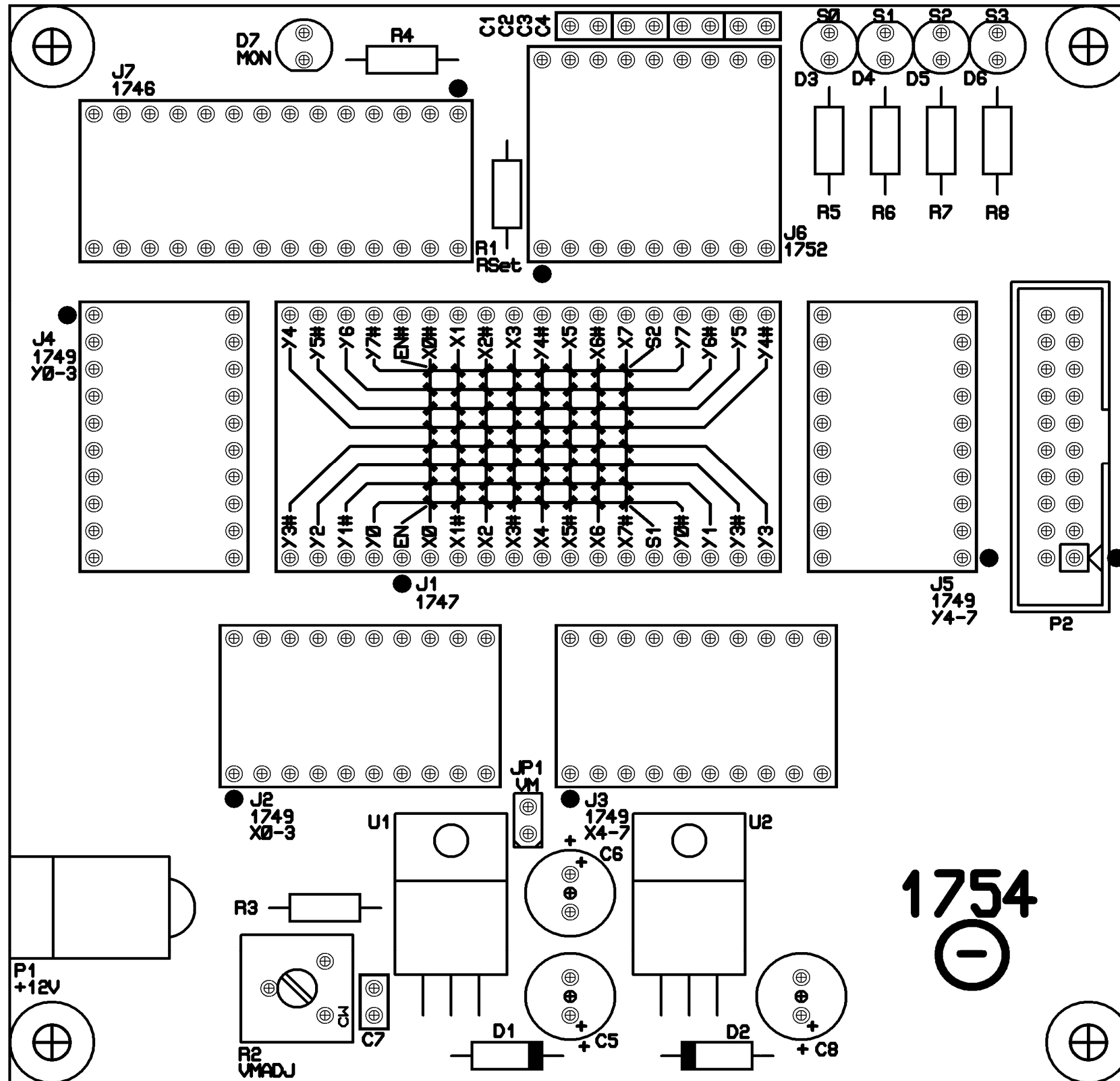


NOTES: UNLESS OTHERWISE SPECIFIED

REVISION HISTORY		APPROVED	DATE
REV	DESCRIPTION	J Taylor	2026/02/05
-	Initial release		



APPROVALS		DATE	TITLE
DRAWN	J TAYLOR	2026/02/05	64 bit magnetic core memory
CHECKED			
ENGINEER			
PROJ ENGINEER			
APPROVED			SIZE FSCM NO. DRAWING NO. 1754 REV. -
GA			SCALE NONE © 2026 TES MODIFIED: 2/15/2026 2:51:47 PM SHEET 1 OF 2



APPROVALS		DATE	TITLE		
DRAWN	J TAYLOR	2026/02/05	Assembly drawing		
CHECKED					
ENGINEER					
PROJ ENGINEER			SIZE	FSCM NO.	DRAWING NO.
APPROVED			B		1754
QA			SCALE	© 2026 TES	MODIFIED: 2/15/2026 2:51:47 PM
			NONE		SHEET 2 OF 2