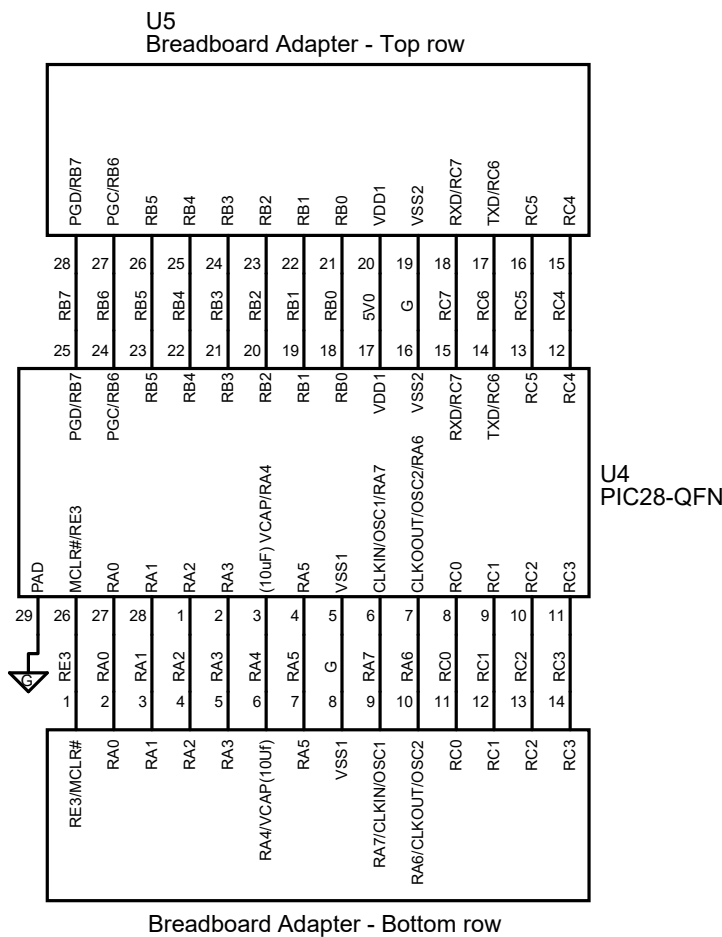
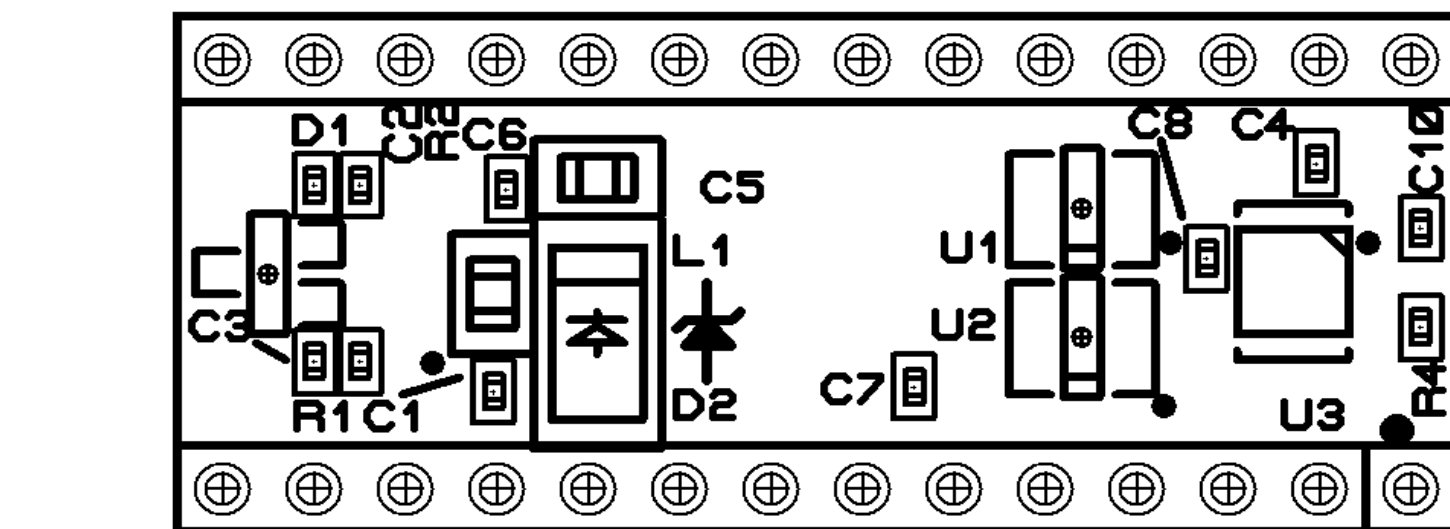
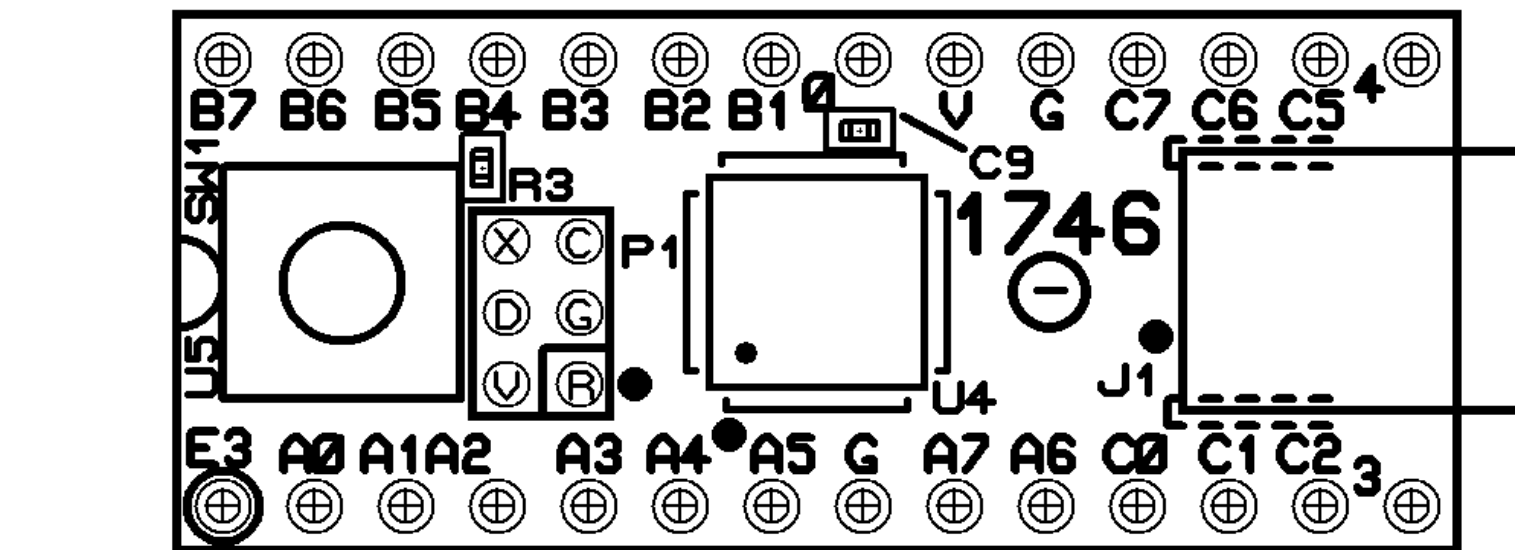
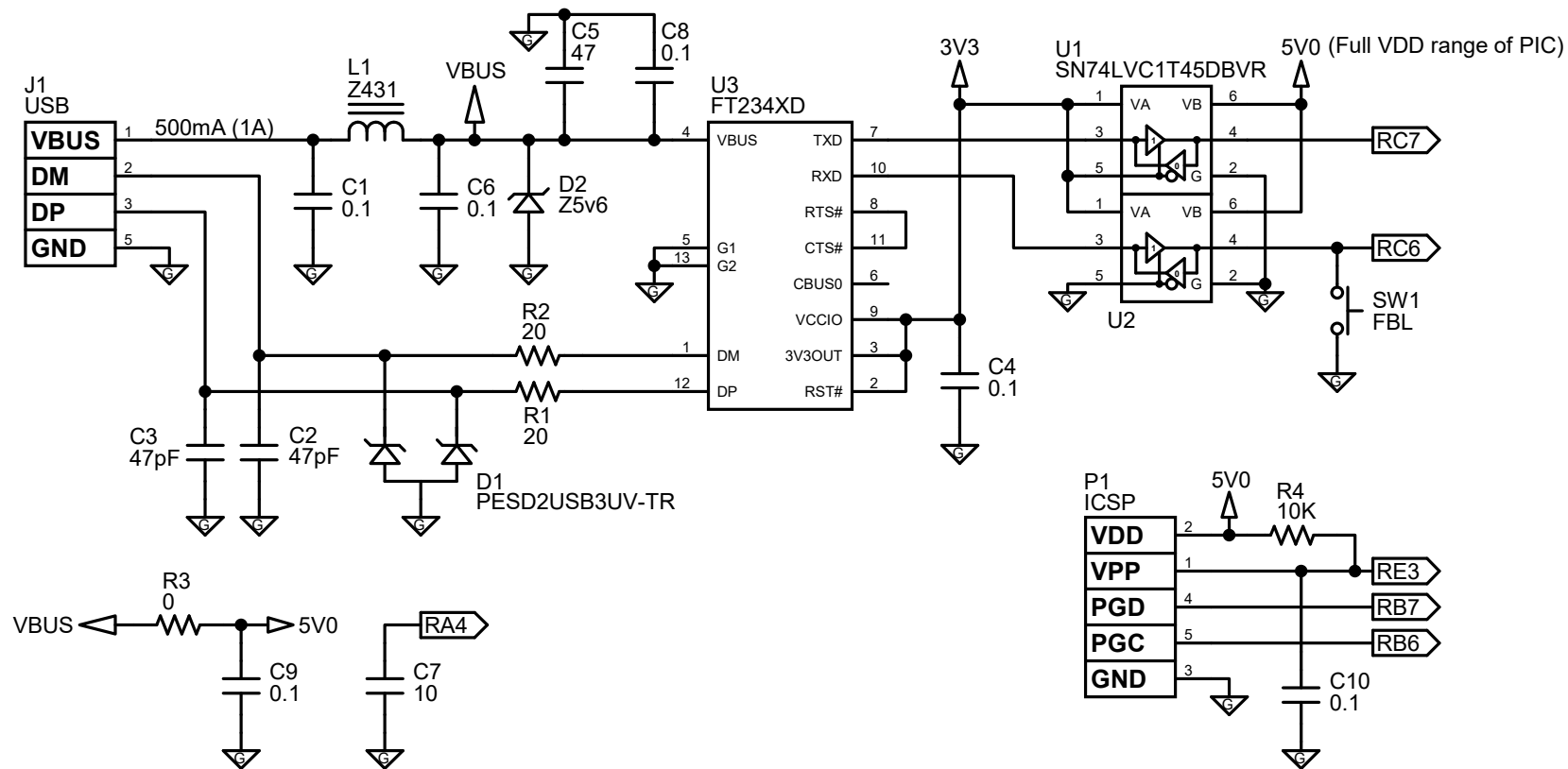


NOTES: UNLESS OTHERWISE SPECIFIED

REVISION HISTORY			
REV	DESCRIPTION	APPROVED	DATE
-	Initial release	J Taylor	2025/12/14



APPROVALS		DATE	TITLE	
DRAWN	J TAYLOR	2025/12/14	PIC28 to breadboard / USB RS232	
CHECKED				
ENGINEER				
PROJ ENGINEER			SIZE	FSCM NO.
APPROVED			B	DRAWING NO. 1746
GA			SCALE	NONE
			© 2025 TES	MODIFIED: 12/15/2025 7:14:18 PM
			SHEET	1 OF 1