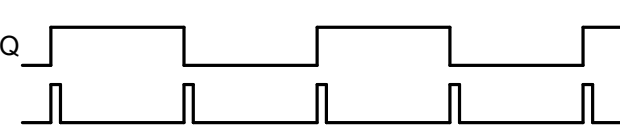
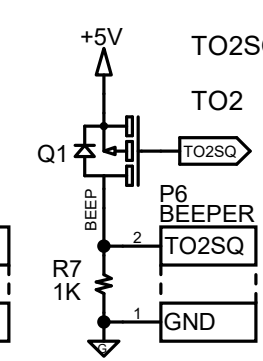
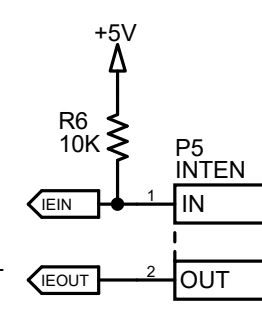
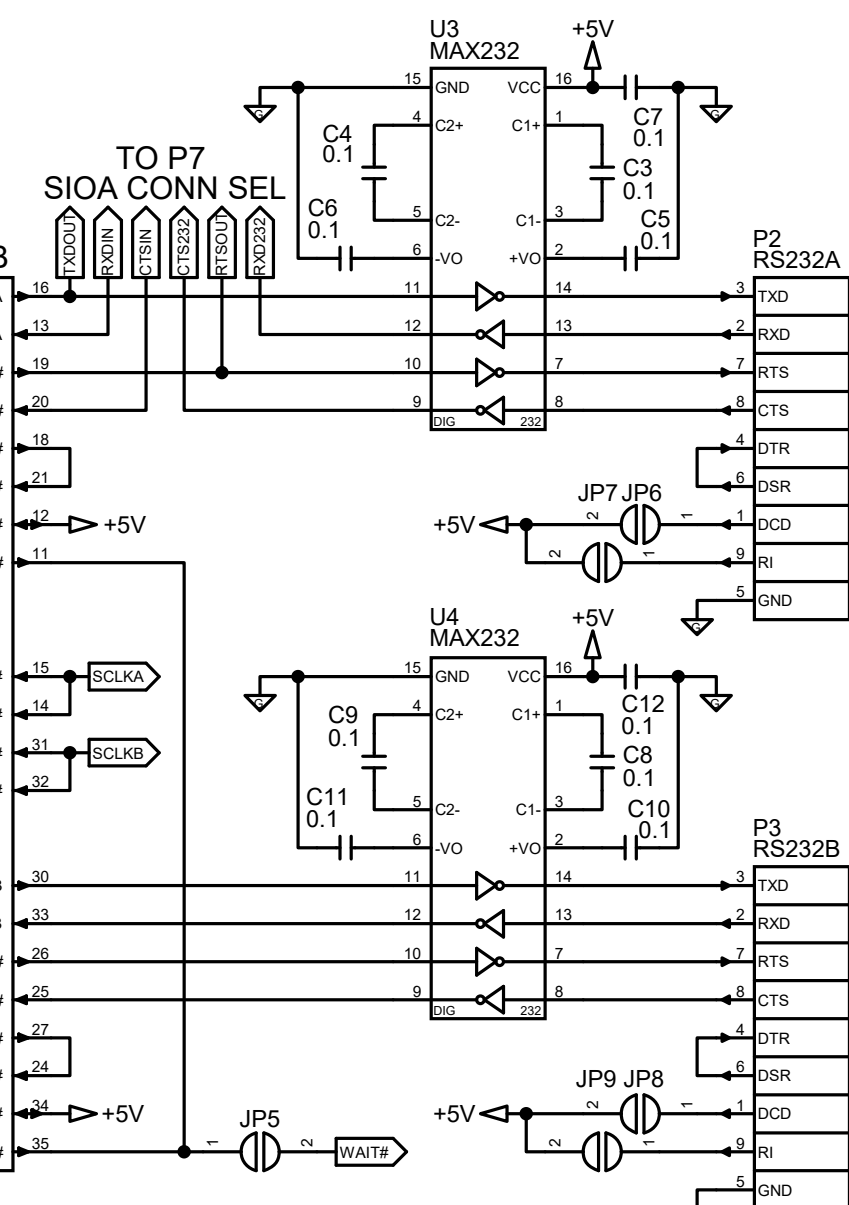
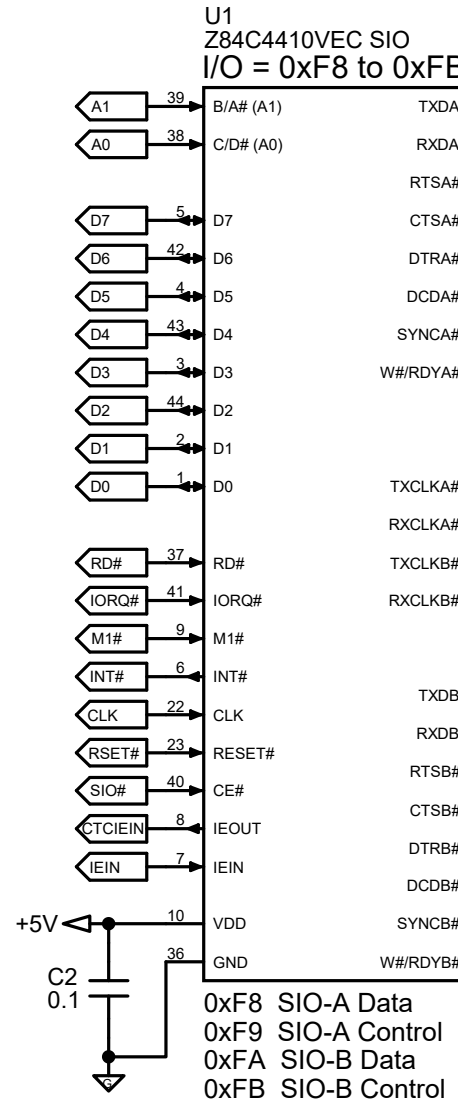
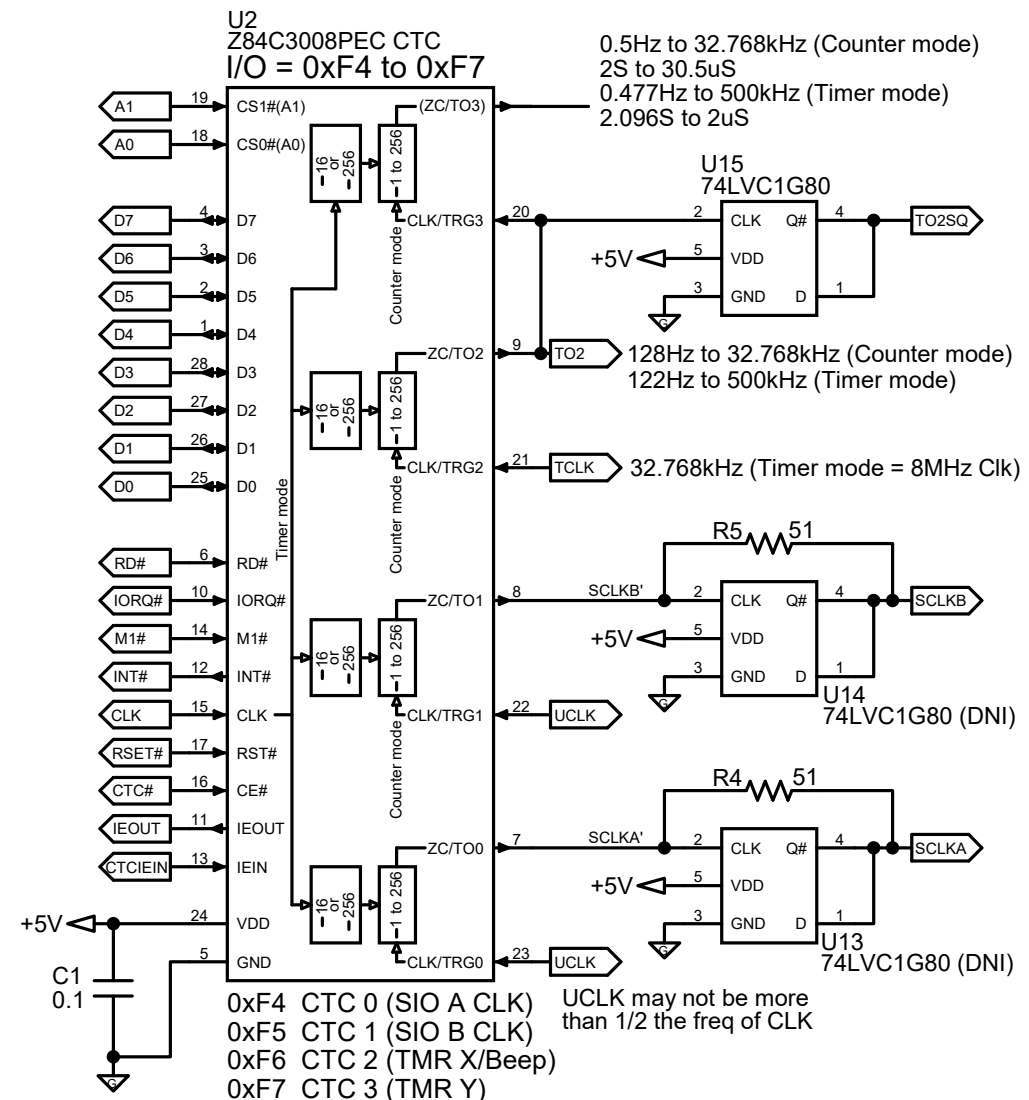
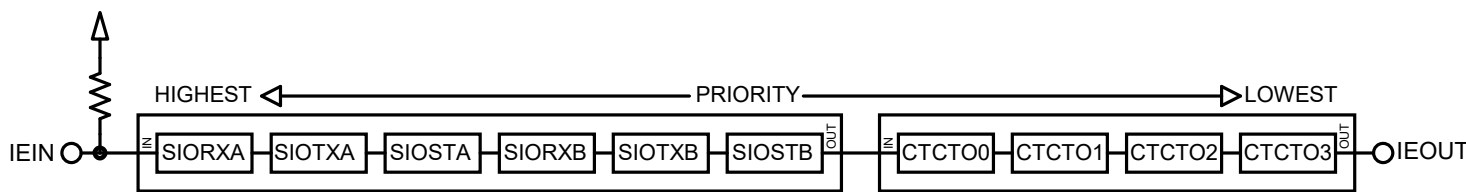
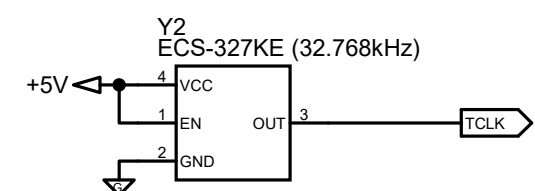
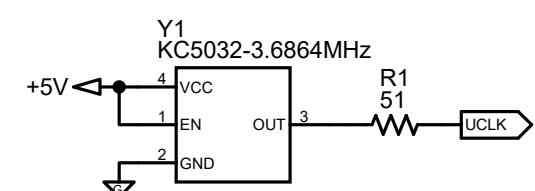
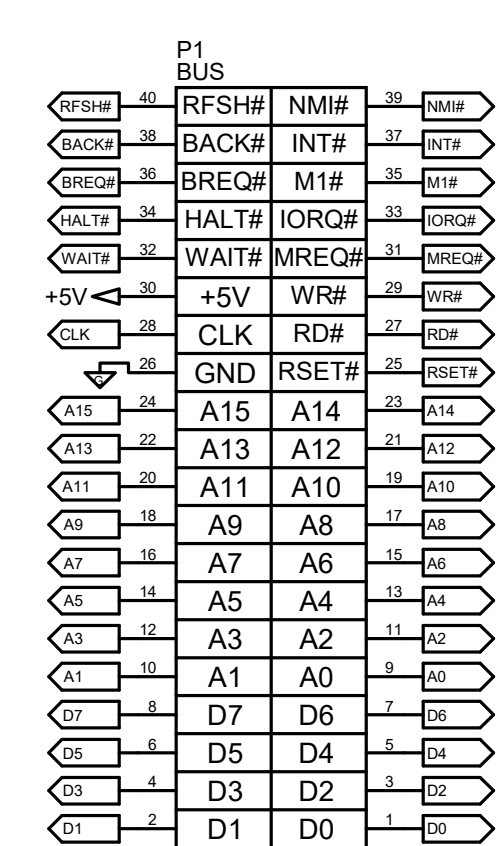
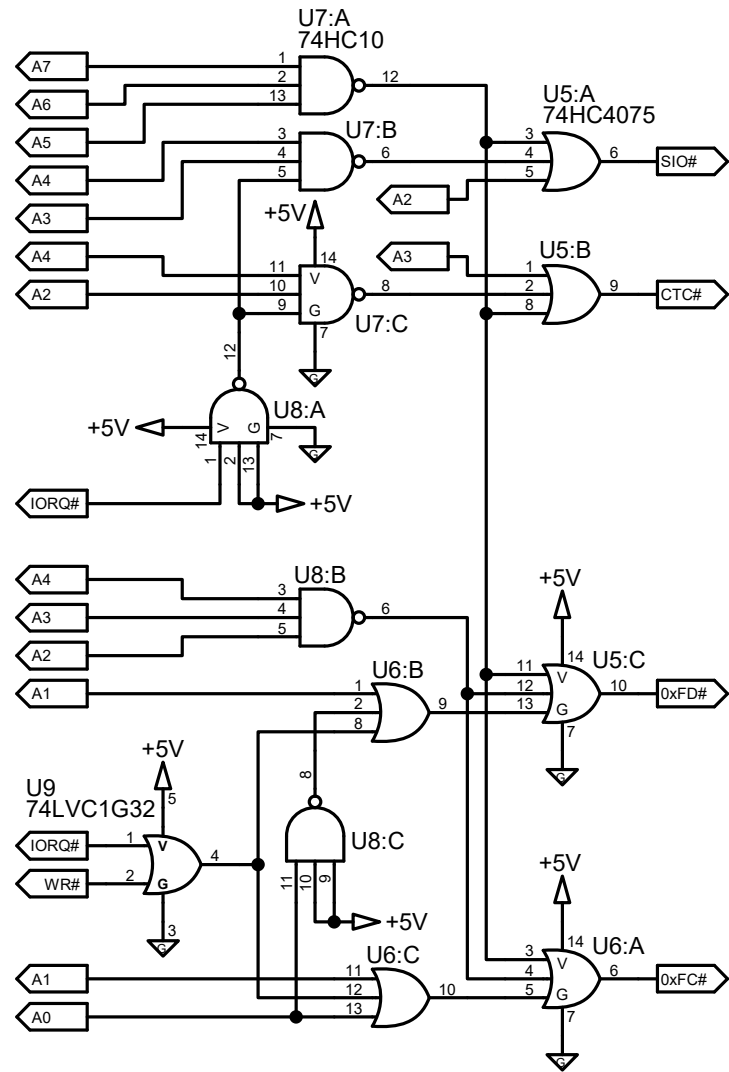


REVISION HISTORY			
REV	DESCRIPTION	APPROVED	DATE
-	Initial release	J Taylor	2025/07/20

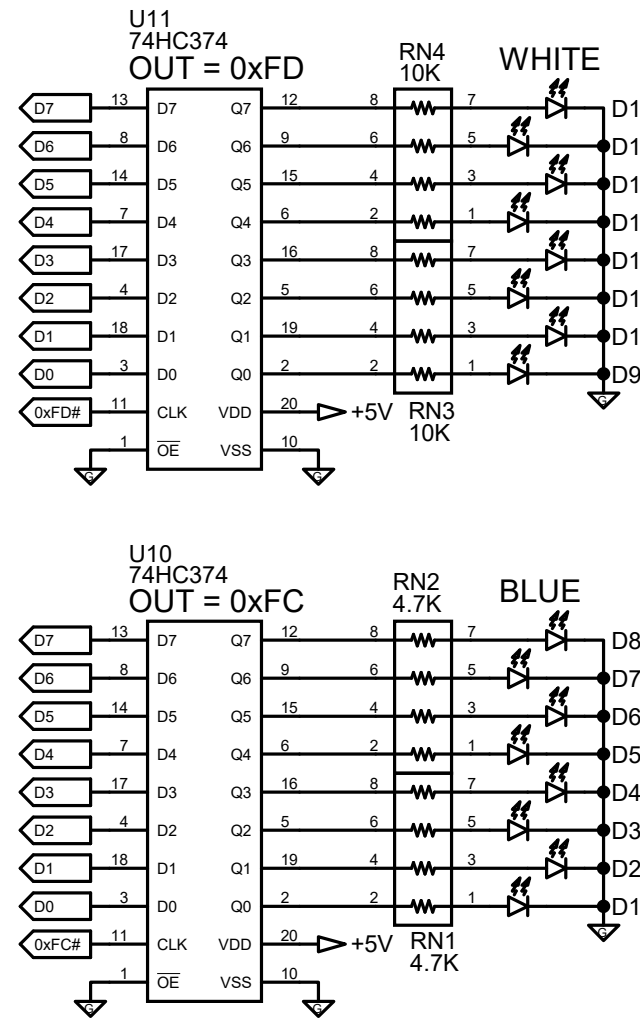


APPROVALS		DATE	TITLE
DRAWN	J TAYLOR	2025/07/20	Z80 CTC and SIO with 2 LED banks
CHECKED			
ENGINEER			
PROJ ENGINEER			
APPROVED			
GA			

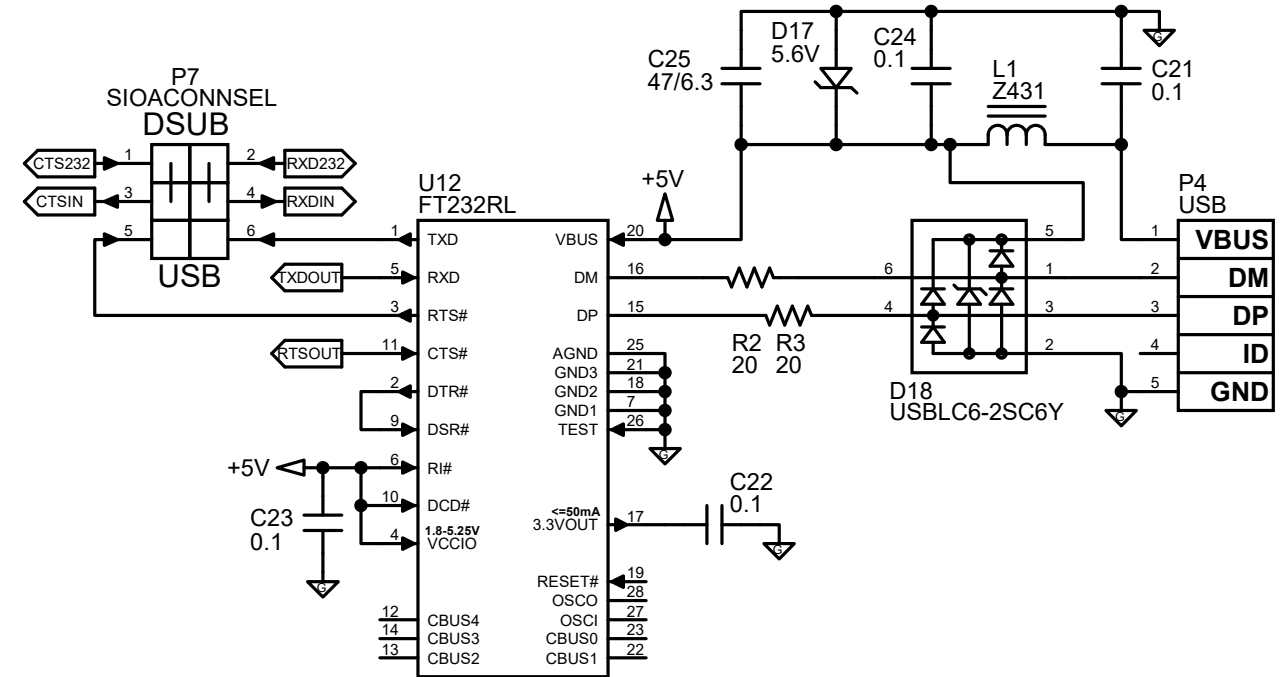
SIZE	FSCM NO.	DRAWING NO.	REV.
B		1740	-
SCALE	NONE	© 2025 TES	MODIFIED: 8/8/2025 6:58:45 PM
SHEET		1 OF 3	



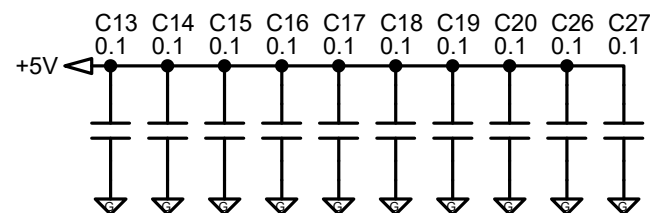
ADDRESS DECODE



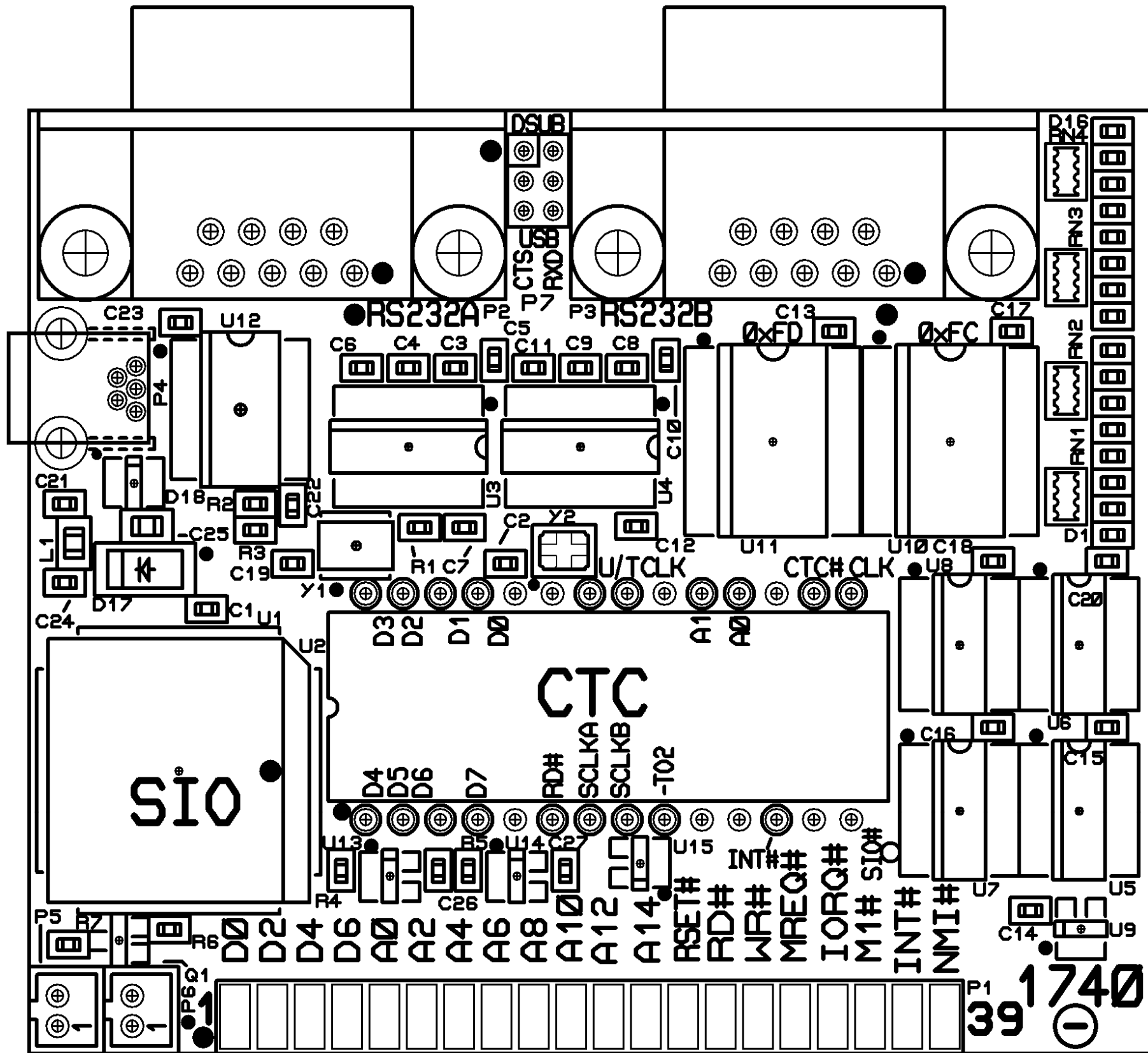
LED DISPLAY BANKS



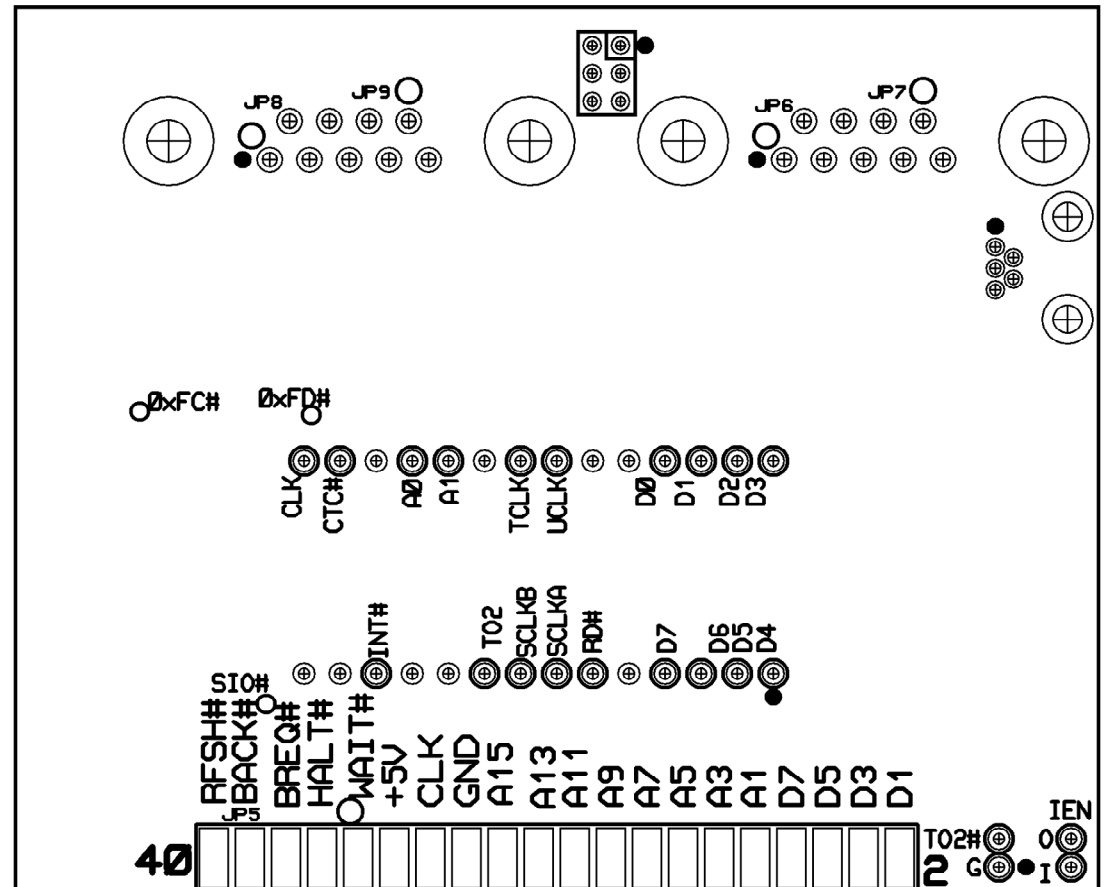
RS232A USB INTERFACE



APPROVALS		DATE	TITLE		
DRAWN J TAYLOR		2025/07/20	Address Decode / USB / LEDs		
CHECKED					
ENGINEER					
PROJ ENGINEER			SIZE B	FSCM NO.	DRAWING NO. 1740
APPROVED			SCALE NONE		REV. -
QA			© 2025 TES	MODIFIED: 8/8/2025 6:58:45 PM	SHEET 2 OF 3



D15
 D14
 D13
 D12
 D11
 D10
 D9
 D8
 D7
 D6
 D5
 D4
 D3
 D2
 * 0—OUT(0xFC)—7 0—OUT(0xFD)—7



APPROVALS		DATE	TITLE		
DRAWN J TAYLOR		2025/07/20	Assembly drawing		
CHECKED					
ENGINEER					
PROJ ENGINEER			SIZE B	FSCM NO.	DRAWING NO. 1740
APPROVED					REV. -
GA			SCALE NONE	© 2025 TES	MODIFIED: 8/8/2025 6:58:45 PM SHEET 3 OF 3