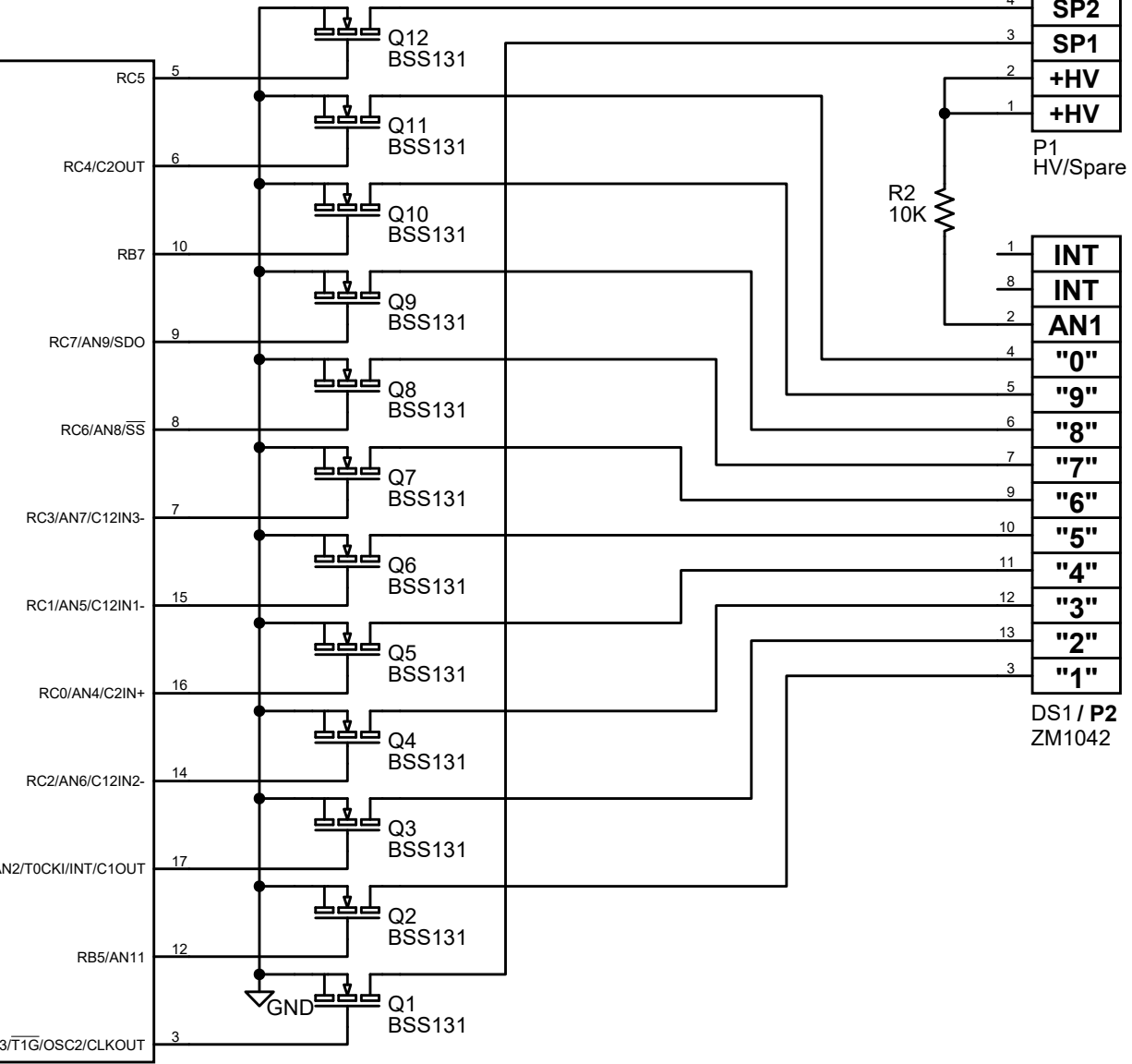
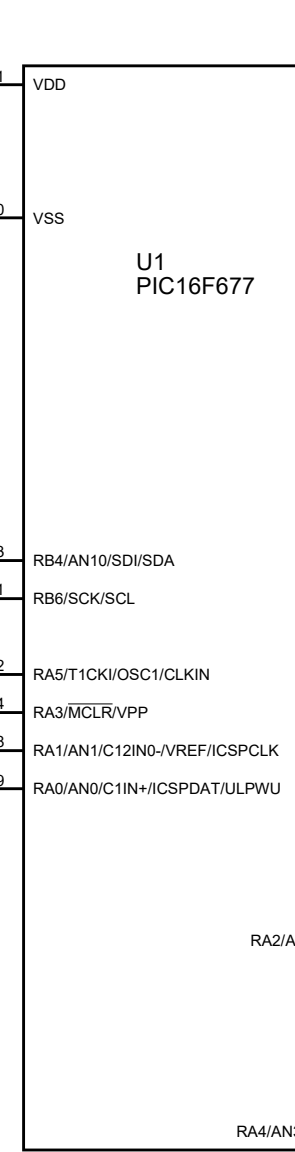
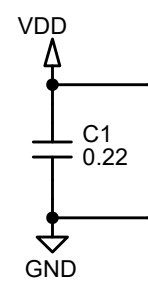
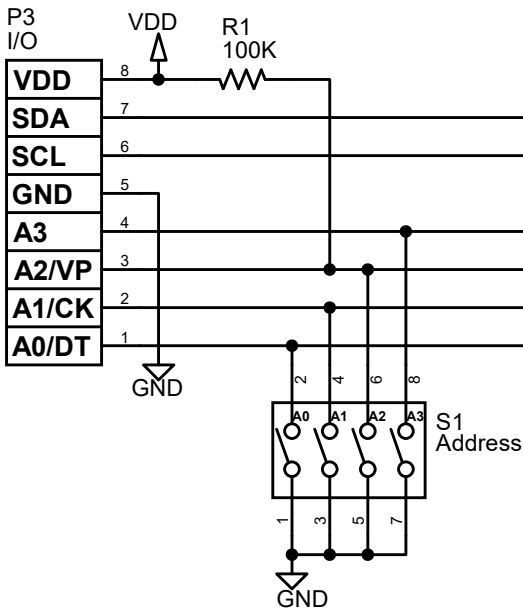
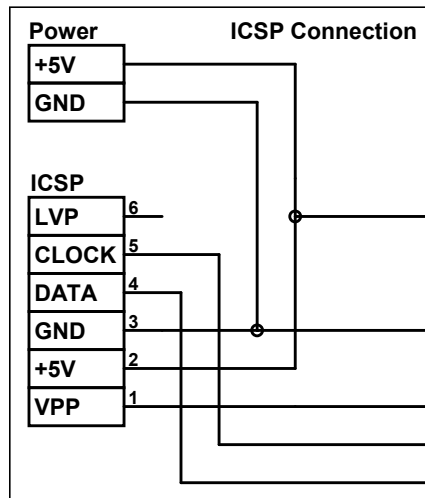
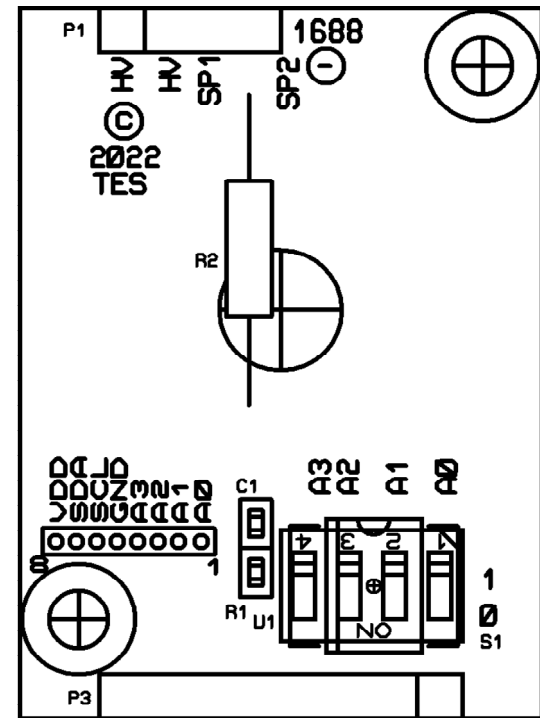
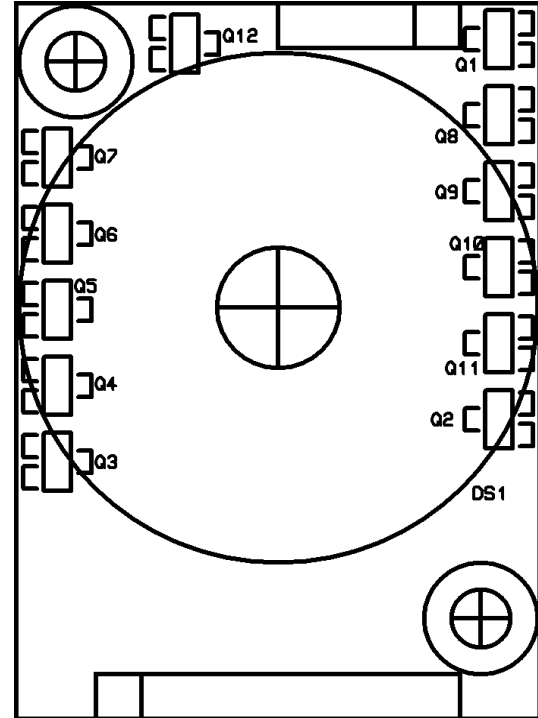


REVISION HISTORY			
REV	DESCRIPTION	APPROVED	DATE



Front
↑



APPROVALS		DATE	TITLE		
DRAWN	J TAYLOR	09/19/11	SmartNixie I2C addressable module for ZM1042 nixie tube		
CHECKED			SIZE	FSCM NO.	DRAWING NO.
ENGINEER			B		1688.DSN
PROJ ENGINEER			SCALE	NONE	REV. -
APPROVED			© 2022 TES	MODIFIED: 01/12/22 11:13:54 AM	SHEET 1 OF 1