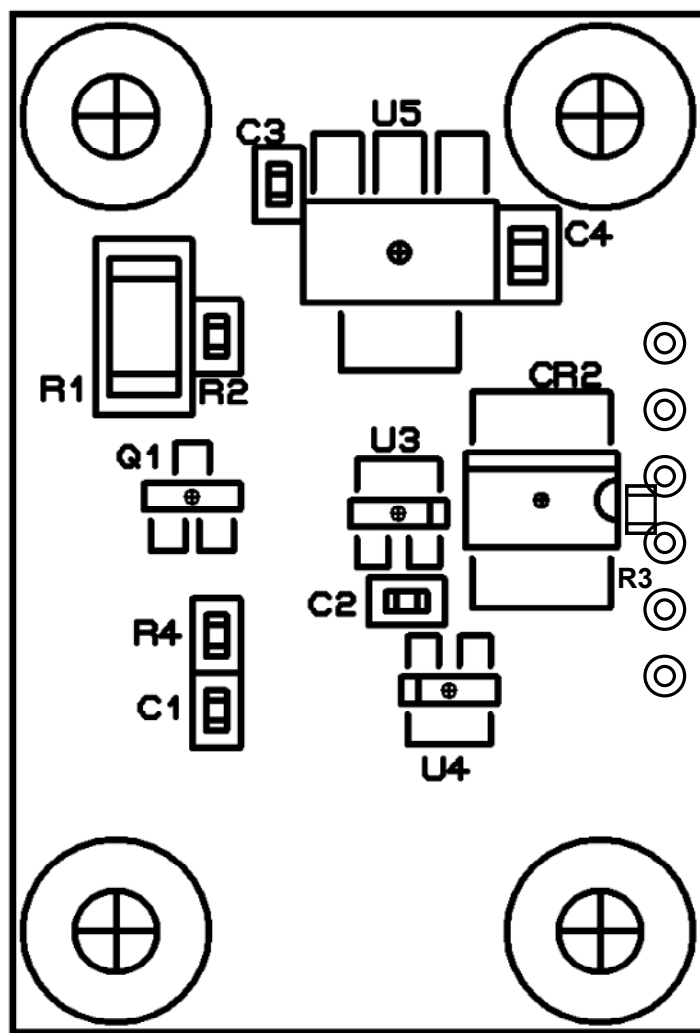
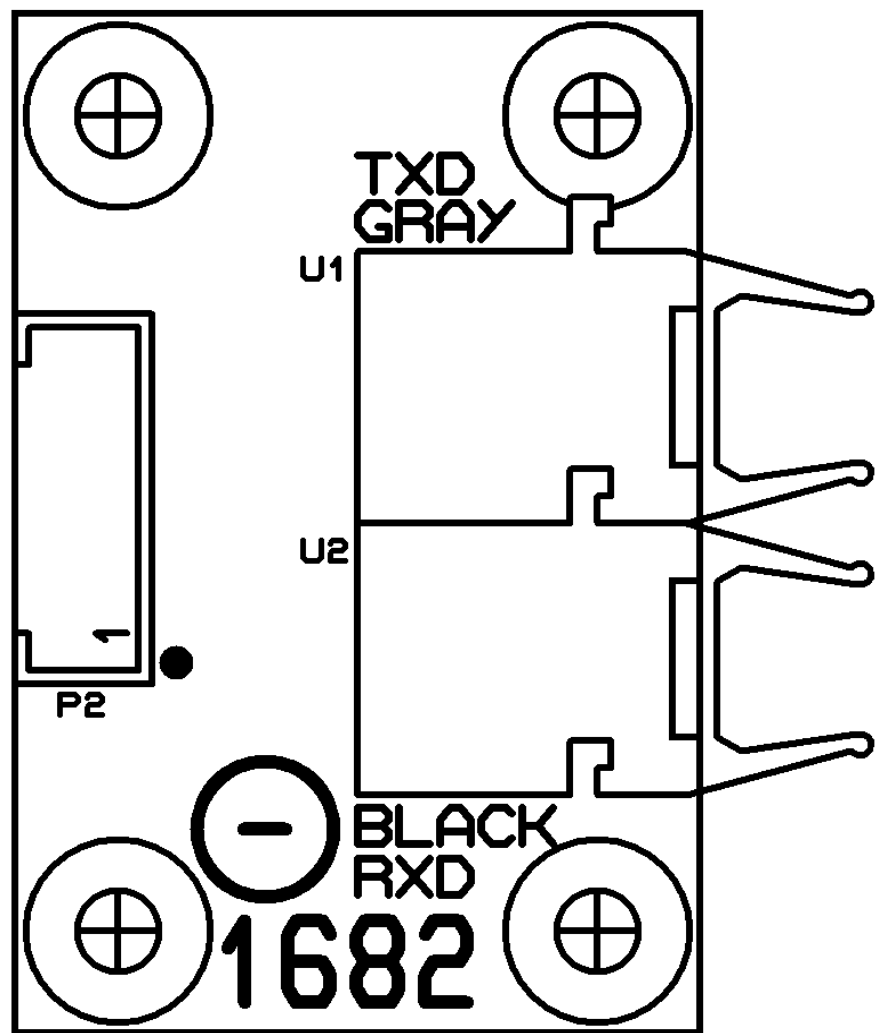
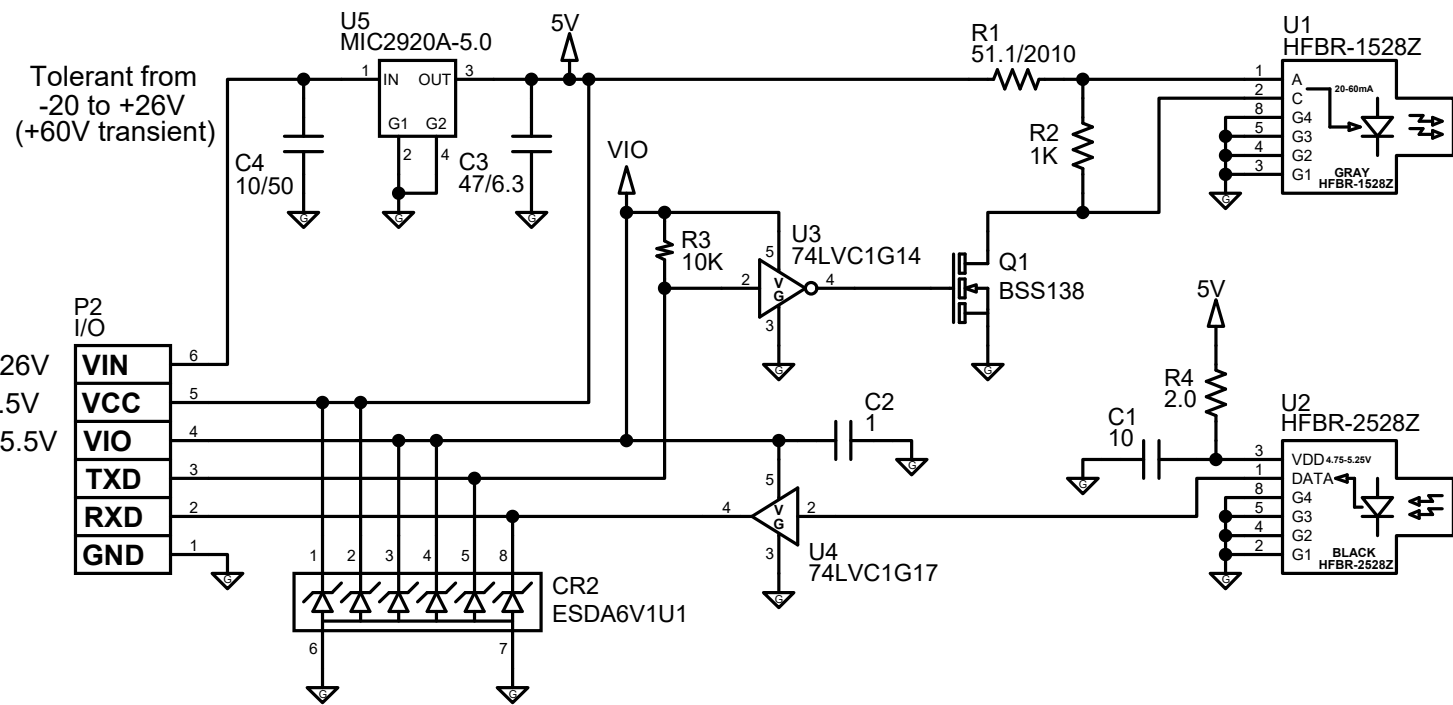


If Vin is supplied, VCC may be loaded up to 300mA such that the junction temperature of U5 is kept below 125C.

Supply voltage to Vin or Vcc { 5.40 to 26V
5V +/-0.5V
1.65 to 5.5V



APPROVALS		DATE	TITLE
DRAWN	J TAYLOR	9/25/2021	Fiber optic logic level UART interface
CHECKED			1.65-5.5V logic / 5V or 5.4-26V power
ENGINEER			
PROJ ENGINEER			SIZE FSCM NO. DRAWING NO. 1682
APPROVED			REV. -
GA			SCALE NONE © 2021 TES MODIFIED: 2/10/2022 10:31:32 AM SHEET 1 OF 1