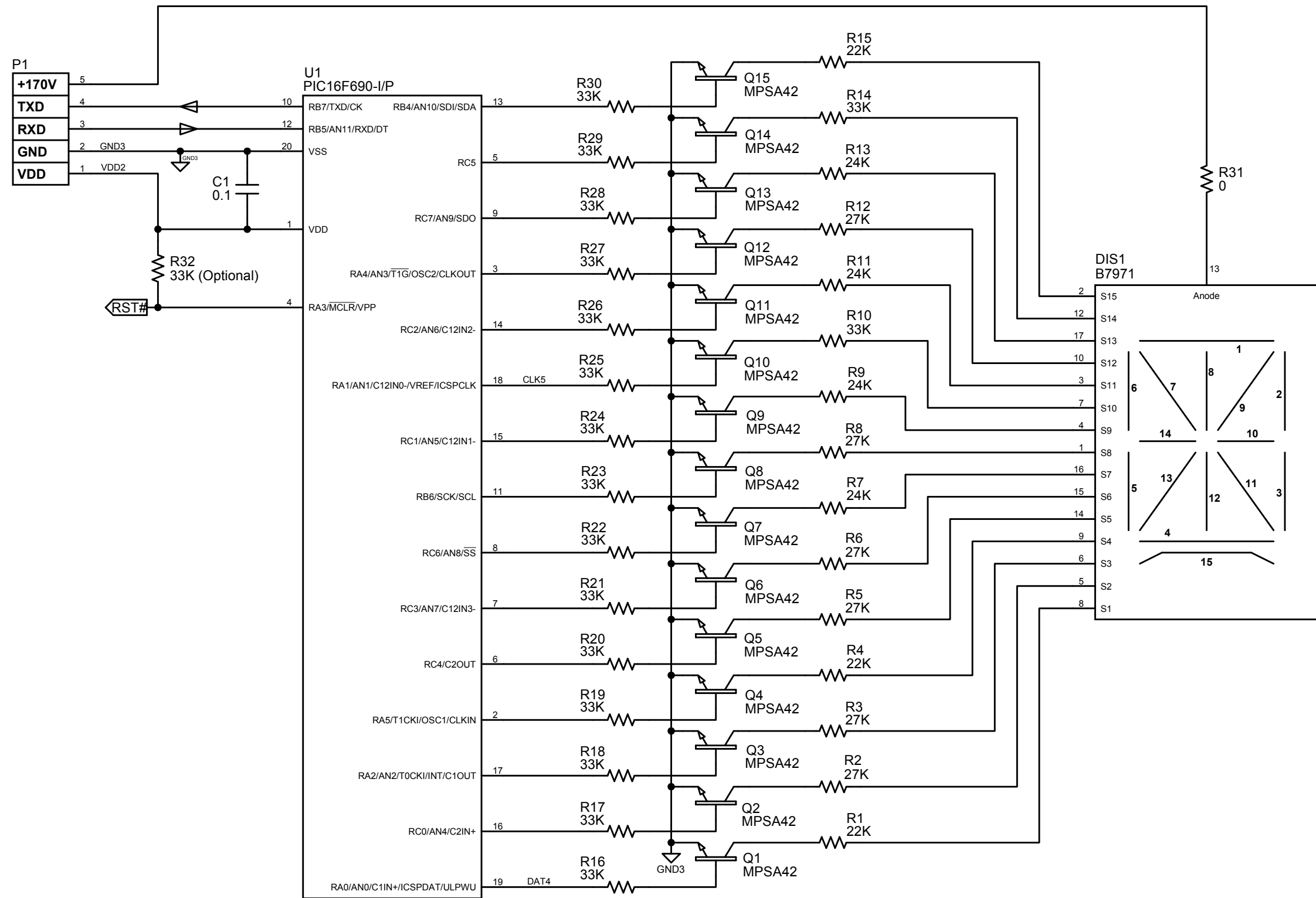
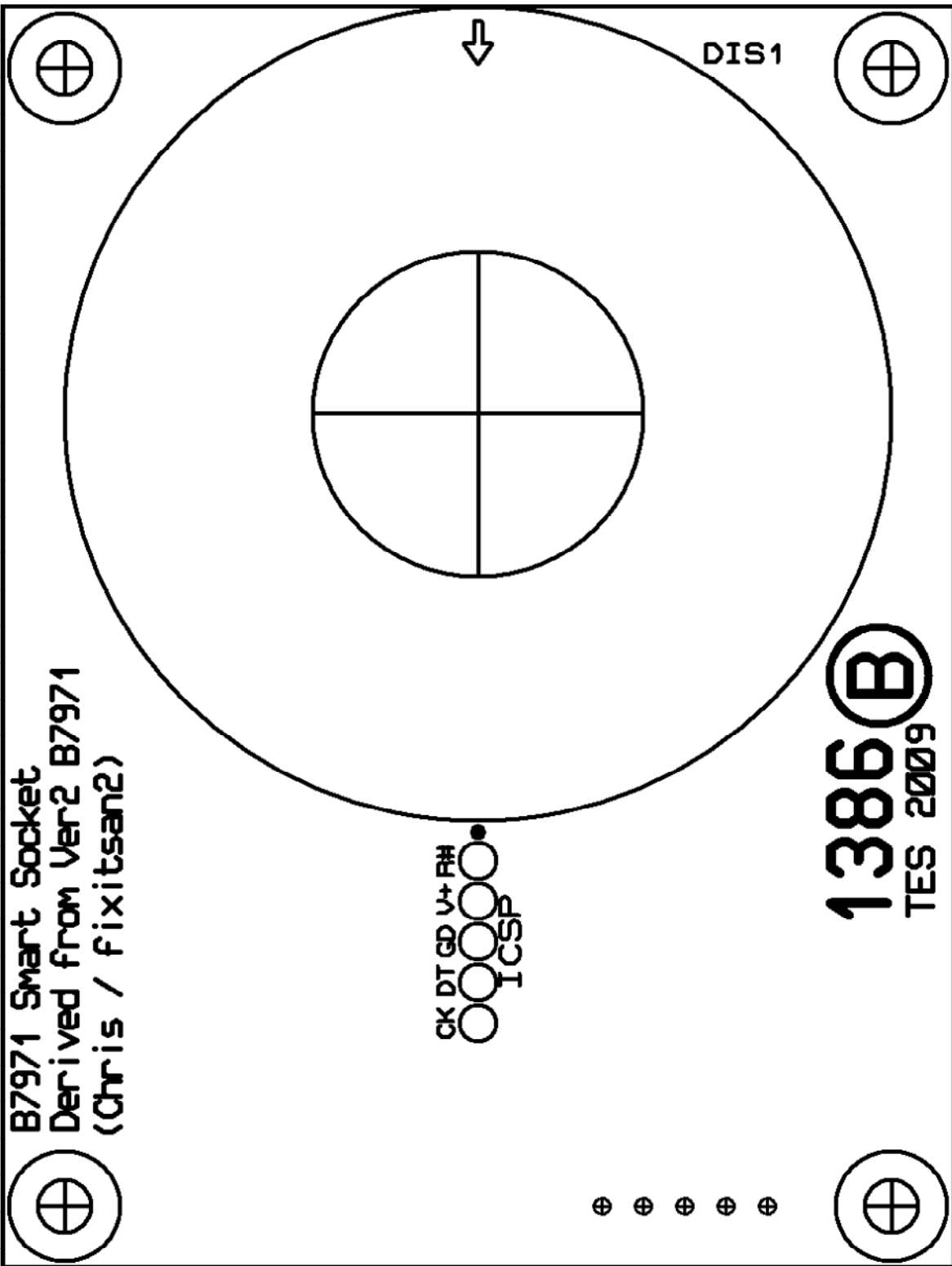
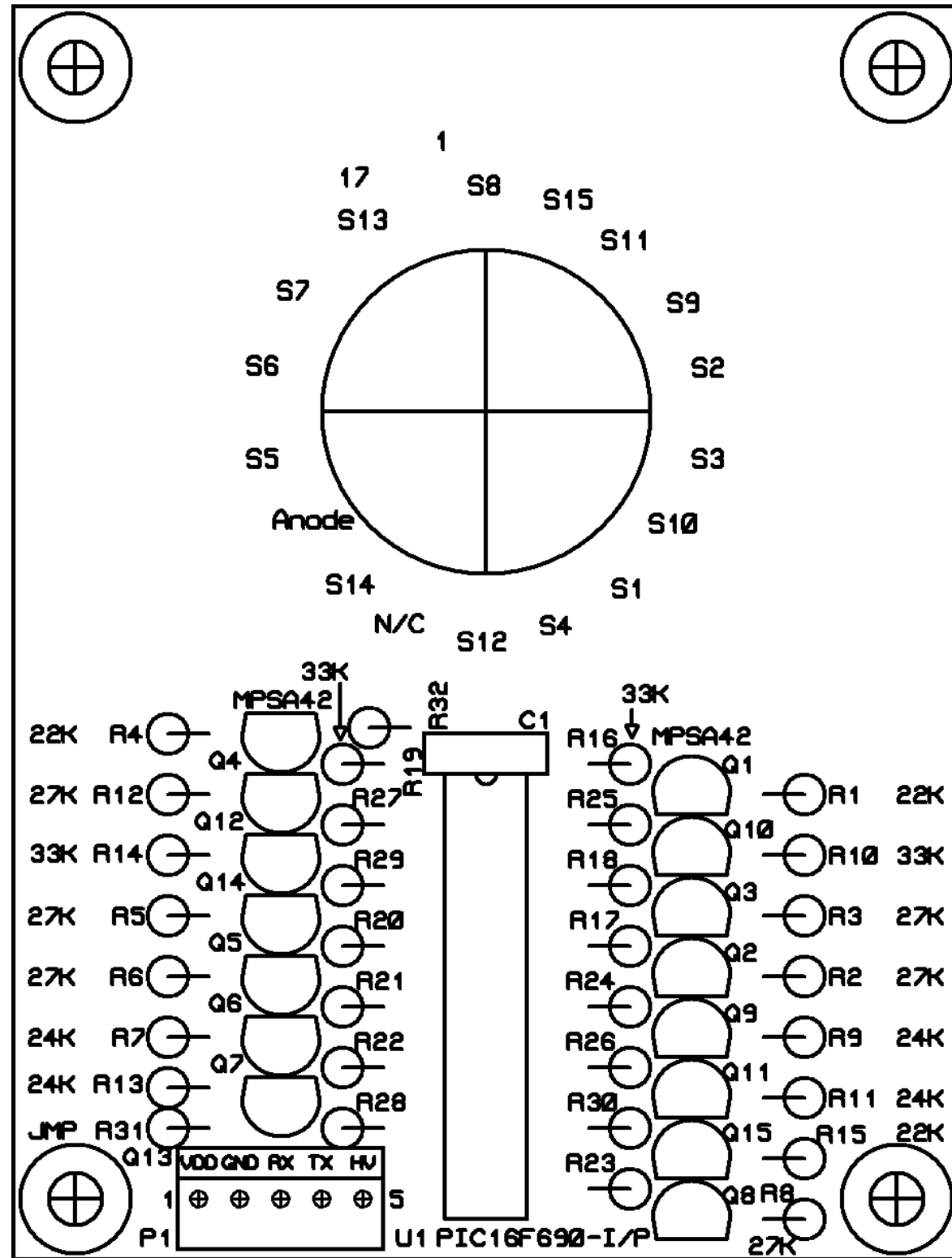


REVISION HISTORY			
REV	DESCRIPTION	APPROVED	DATE



APPROVALS		DATE	TITLE		
DRAWN	J TAYLOR	06/13/09	B7971 Smart socket 14 segment display driver		
CHECKED					
ENGINEER					
PROJ ENGINEER			SIZE	FSCM NO.	DRAWING NO.
APPROVED			B		1386
QA			SCALE	© 2009 TES	MODIFIED: 12/24/14 10:27:16 AM
				SHEET	1 OF 3
				REV.	B

REVISION HISTORY		
REV	DESCRIPTION	APPROVED



B7971 Smart Socket
Derived from Ver2 B7971
(Chris / fixitsan2)

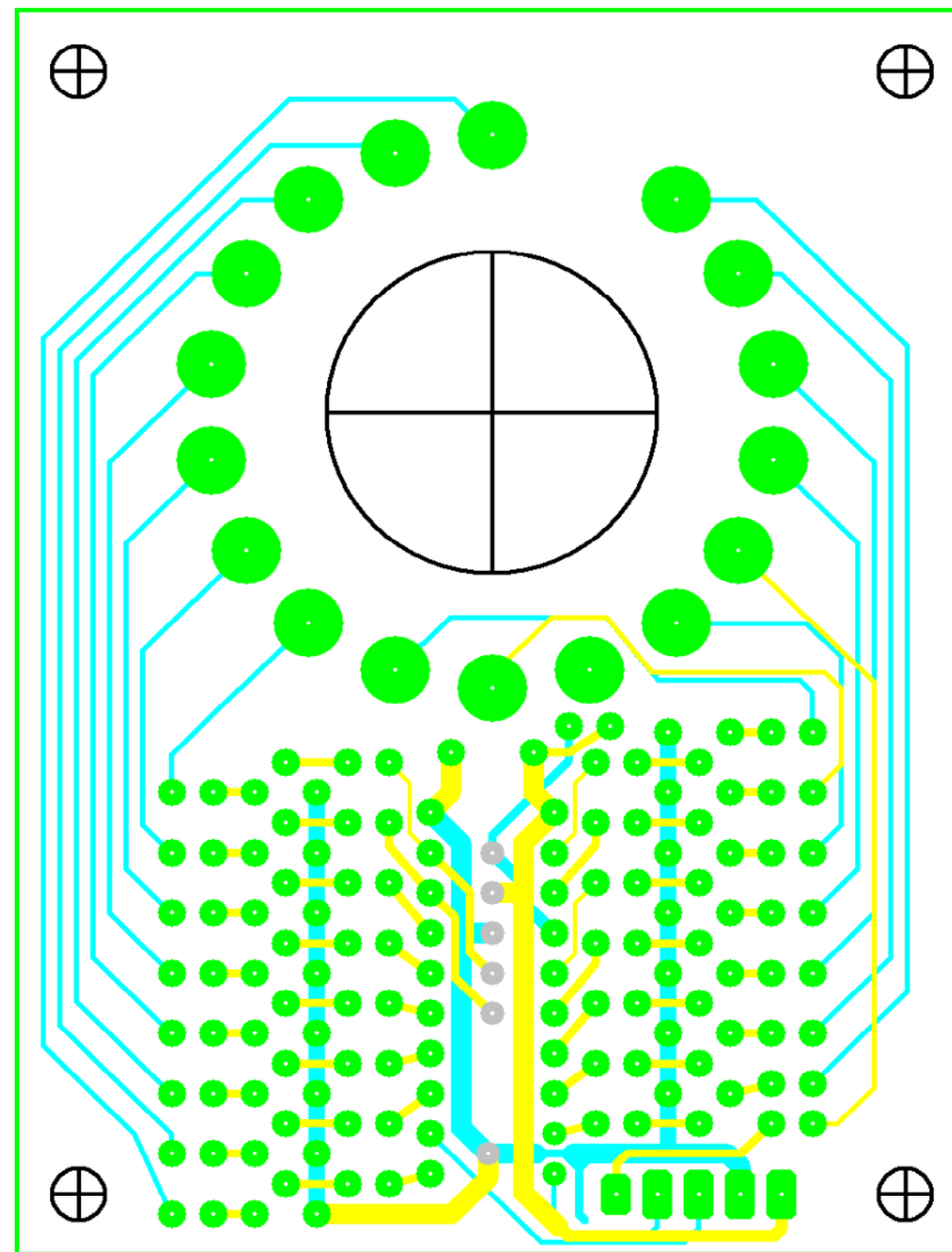
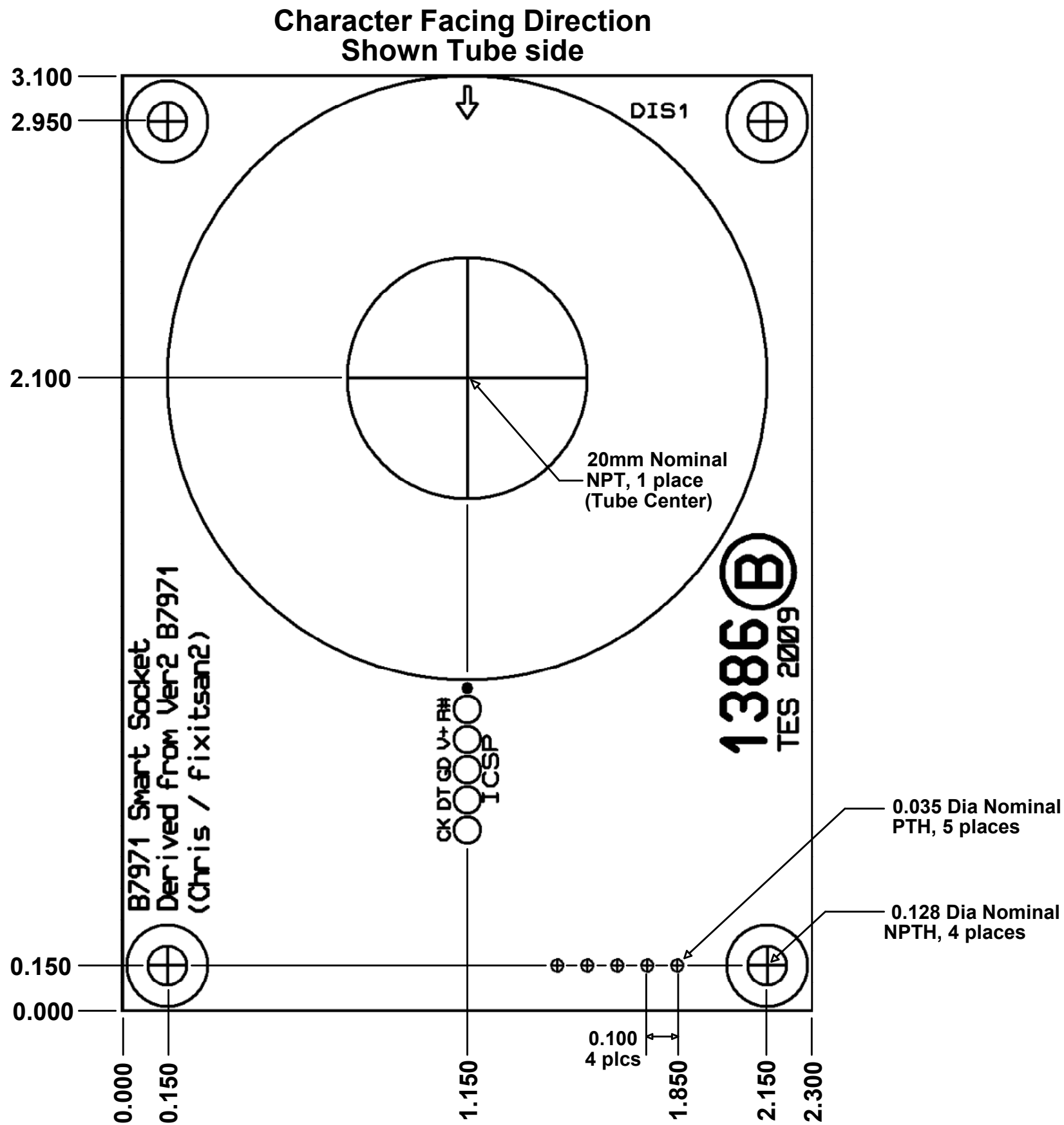
APPROVALS		DATE	TITLE
DRAWN	J TAYLOR	06/13/09	B7971 Smart socket 14 segment display driver
CHECKED			
ENGINEER			
PROJ ENGINEER			
APPROVED			
QA			
SIZE	FSCM NO.	DRAWING NO.	REV.
B		1386	B
SCALE	NONE	© 2009 TES	MODIFIED: 12/24/14 10:27:16 AM
SHEET		2 OF 3	

NOTES: UNLESS OTHERWISE SPECIFIED

1. All dimensions in inches.

REVISION HISTORY

REV	DESCRIPTION	APPROVED	DATE



APPROVALS		DATE	TITLE		
DRAWN	J TAYLOR	06/13/09	B7971 Smart socket 14 segment display driver		
CHECKED					
ENGINEER					
PROJ ENGINEER			SIZE	FSCM NO.	DRAWING NO.
APPROVED			B		1386
QA			SCALE	NONE	© 2009 TES MODIFIED: 12/24/14 10:27:16 AM
			SHEET	3 OF 3	REV. B