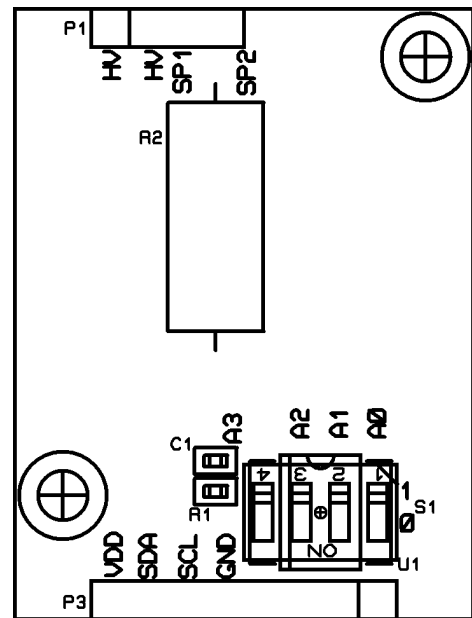
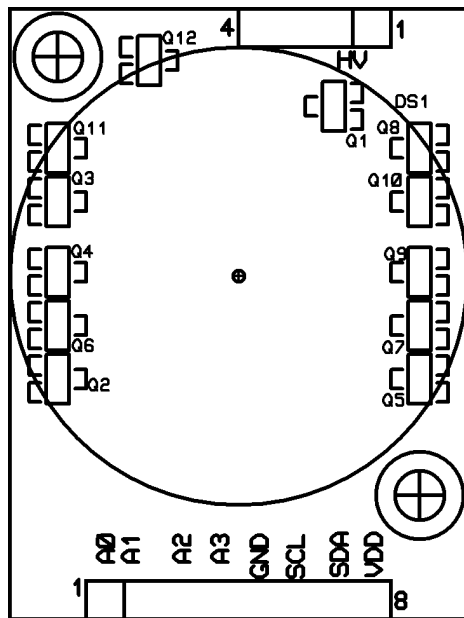
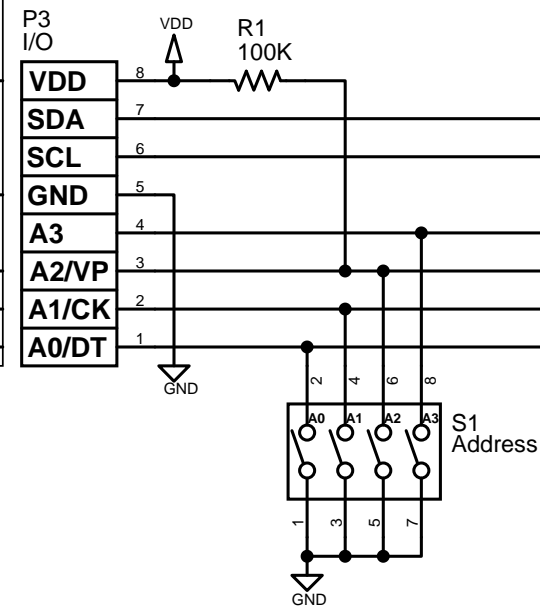
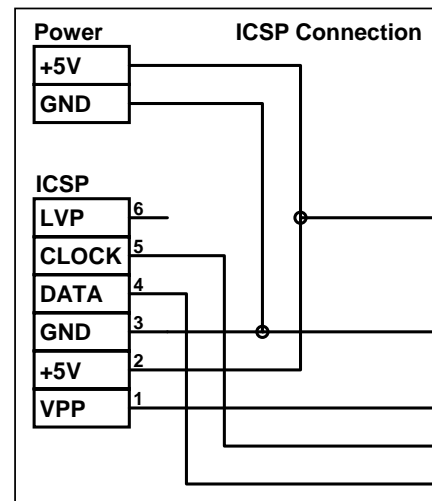
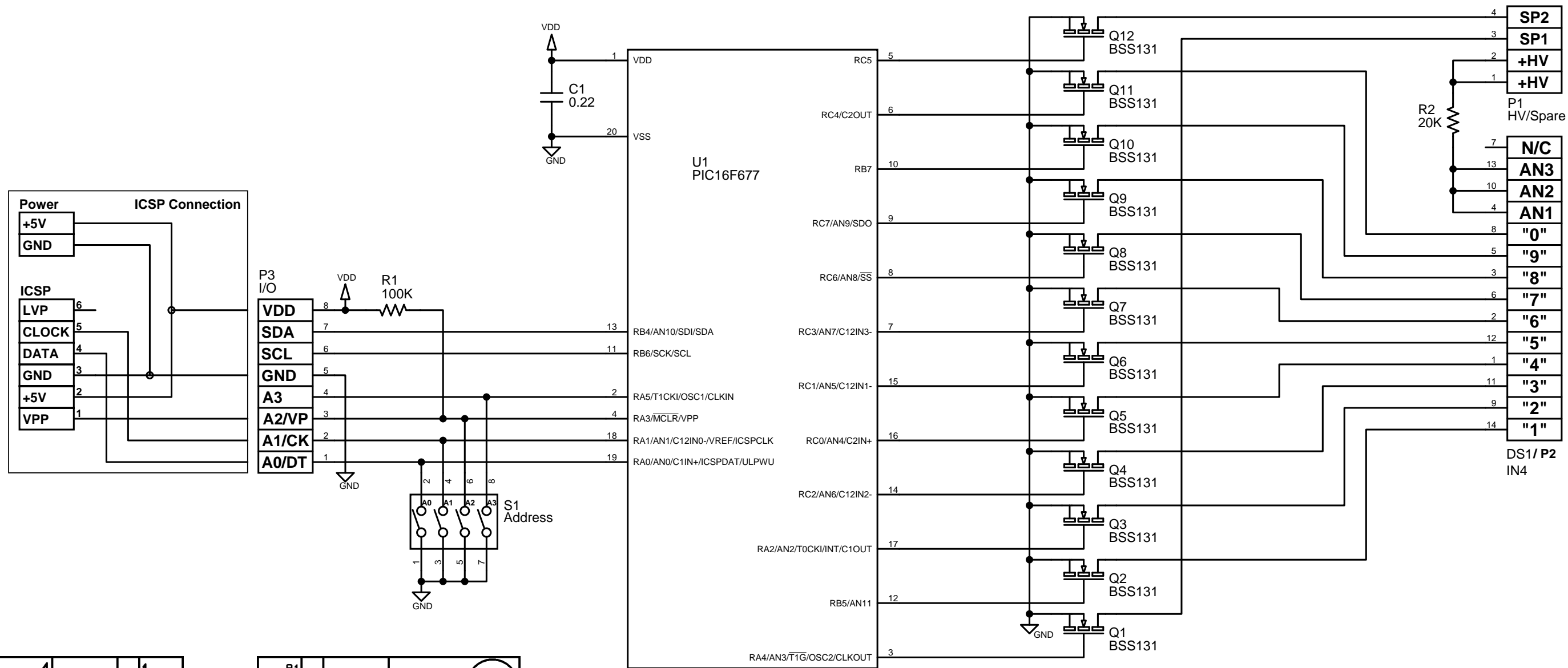


REVISION HISTORY			
REV	DESCRIPTION	APPROVED	DATE



APPROVALS		DATE	TITLE	
DRAWN	J TAYLOR	2007/04/15	SmartNixie I2C addressable module for IN4 nixie tube	
CHECKED				
ENGINEER				
PROJ ENGINEER			SIZE	FSCM NO.
APPROVED			B	
QA			SCALE	NONE
			DRAWING NO.	1356.DSN
			REV.	-
			SHEET	1 OF 1
©2007 Taylor Electronics Services				